






SETTING FITTINGS					
FITTINGS	SPEC.	AMOUNT	FITTINGS	SPEC.	AMOUNT
A		2 pcs	D		1 pcs
B		4 pcs	E		1 pcs
C		4 pcs			

FIG.
1

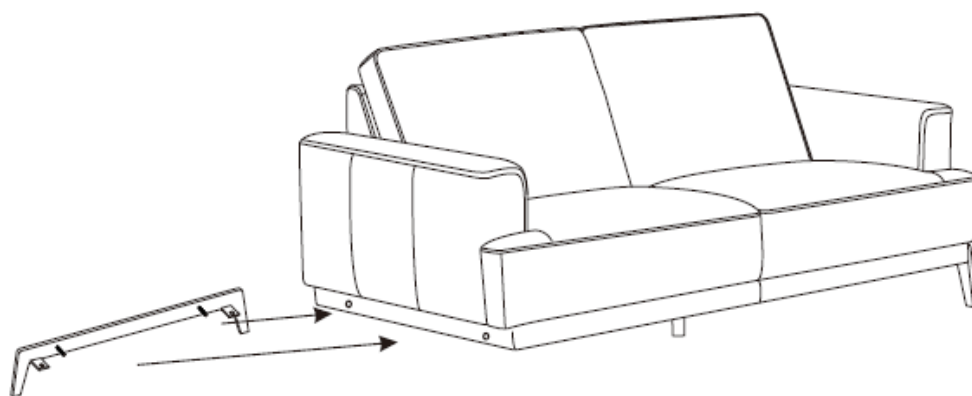


FIG.
2

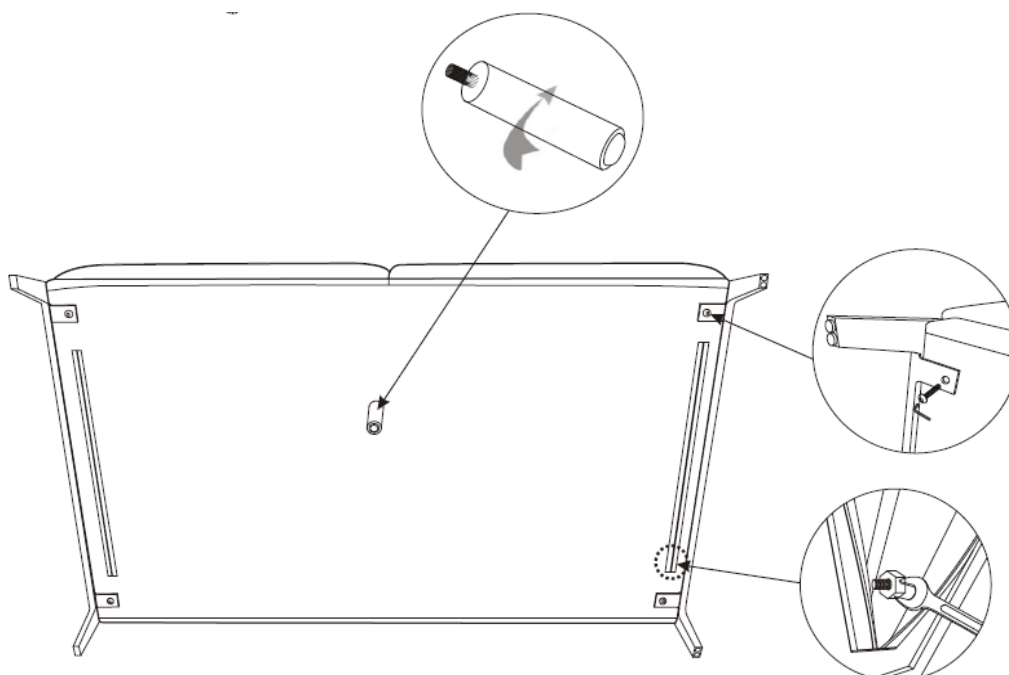


FIG.
3

