

ASSEMBLY INSTRUCTION

3063-CP1410-E-BLANCO-1566



A x1
Spec: 5#



B x8
Spec: Ø8*32



C x8
Spec: Ø25*8



D x8
Spec: Ø10*18



E x8
Spec: Ø12*Ø10*11



F x4
Spec:

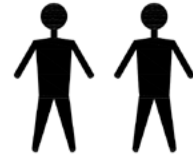


FIG. 1

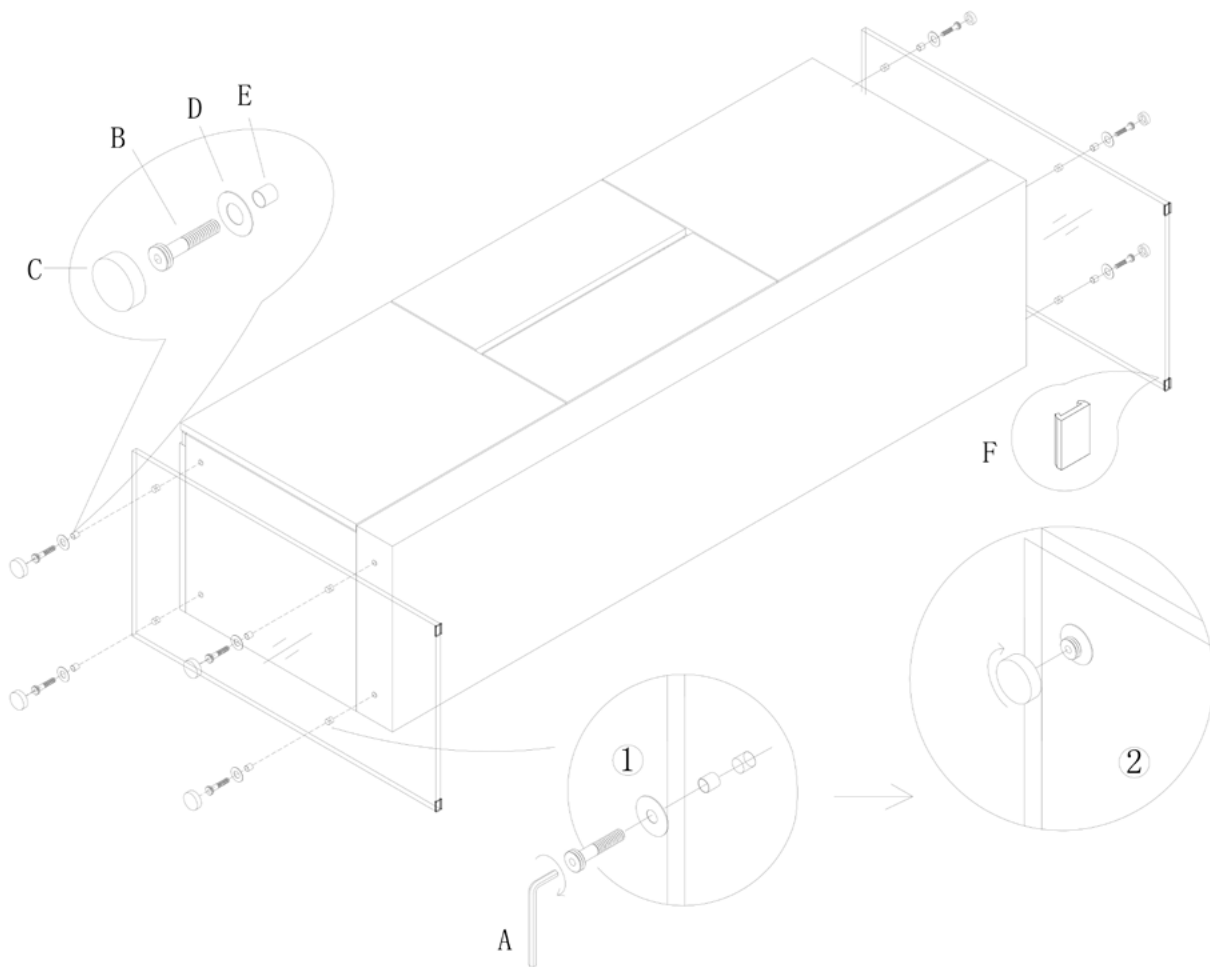


FIG.
2

