





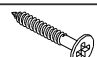
| SETTING FITTINGS | | | | | |
|------------------|---|--------|----------|--|--------|
| FITTINGS | SPEC. | AMOUNT | FITTINGS | SPEC. | AMOUNT |
| A |  | 4 pcs | D |  | 1 pcs |
| B |  | 8 pcs | E |  | 1 pcs |
| C |  | 8 pcs | | | |

FIG.
1

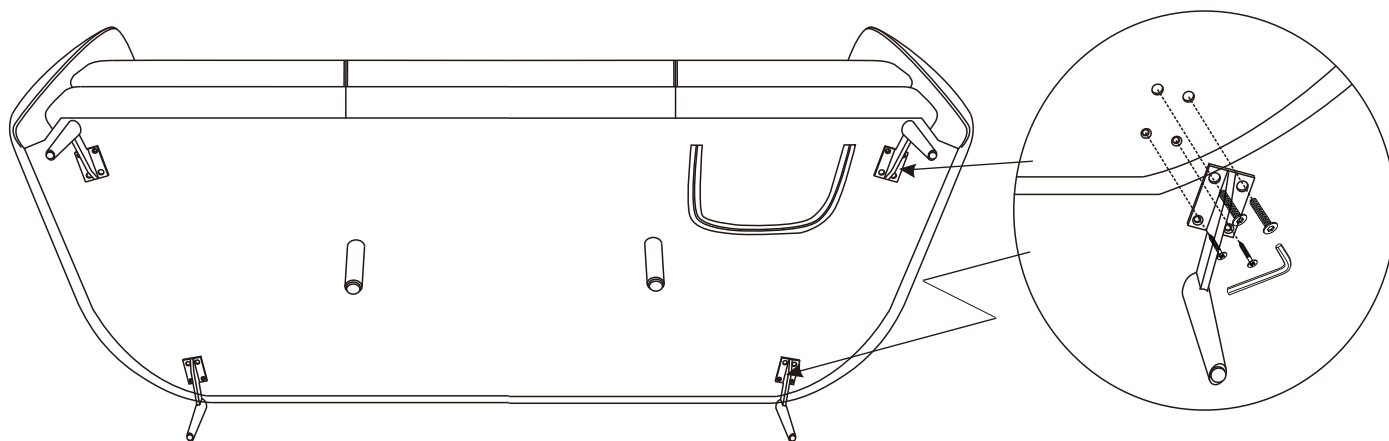


FIG.
2

