



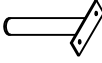






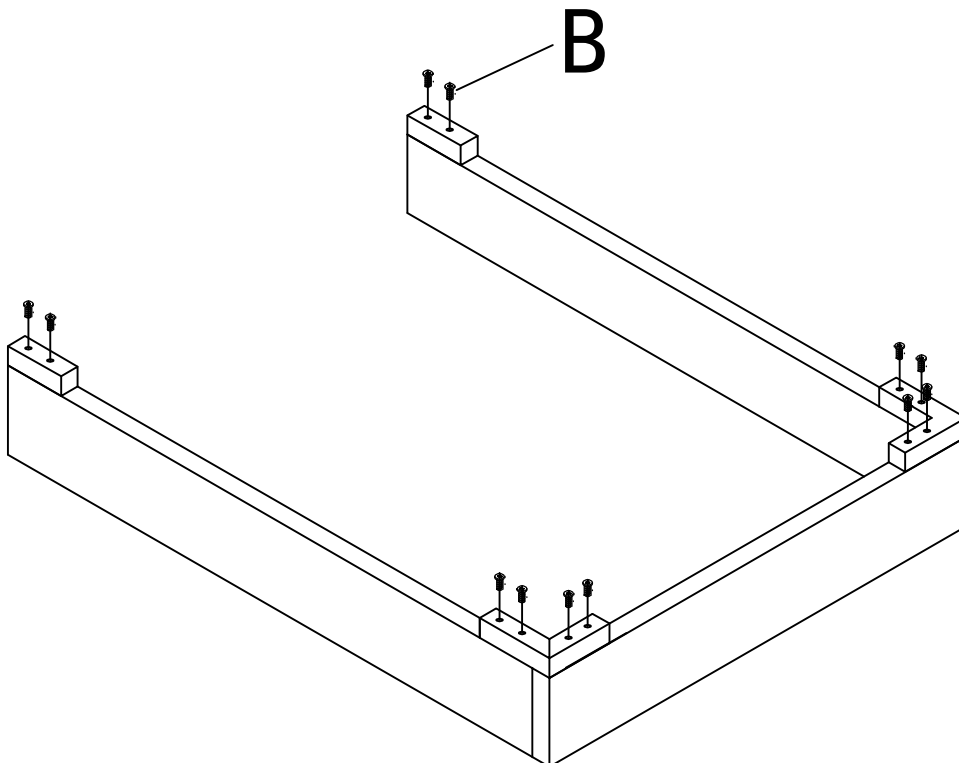
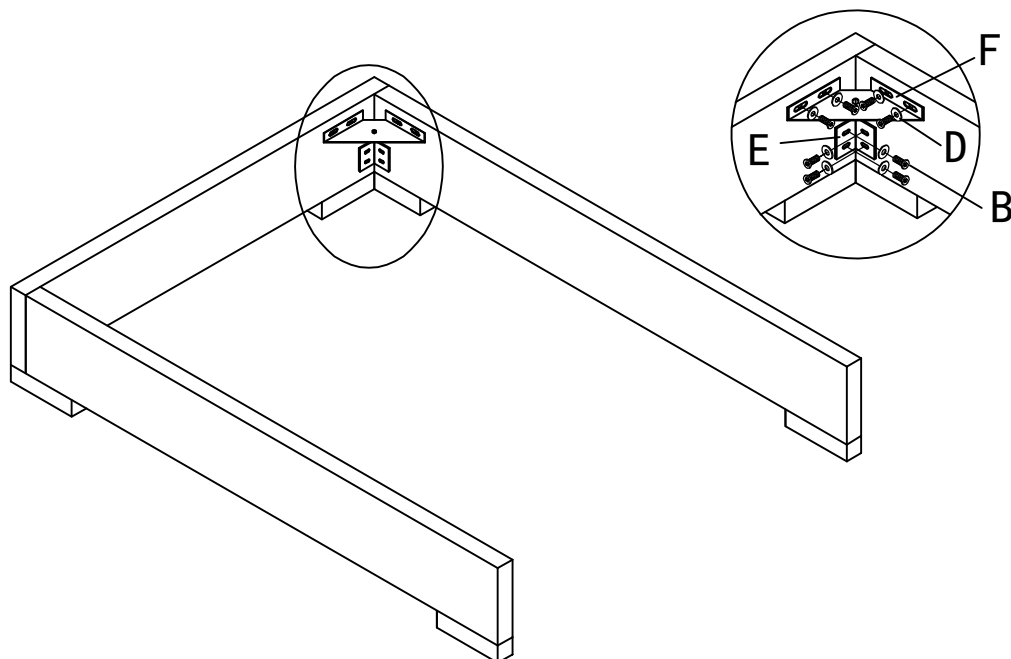
H			1	D			32
G			2	C		M8*20	4
F			4	B		M8*30	44
E			4	A		M8*50	8
D			32	NO.	PART DIAGRAM	PART SIZE	QTY
NO.	PART DIAGRAM	PART SIZE	QTY				

FIG.
1



**FIG.
2**



**FIG.
3**

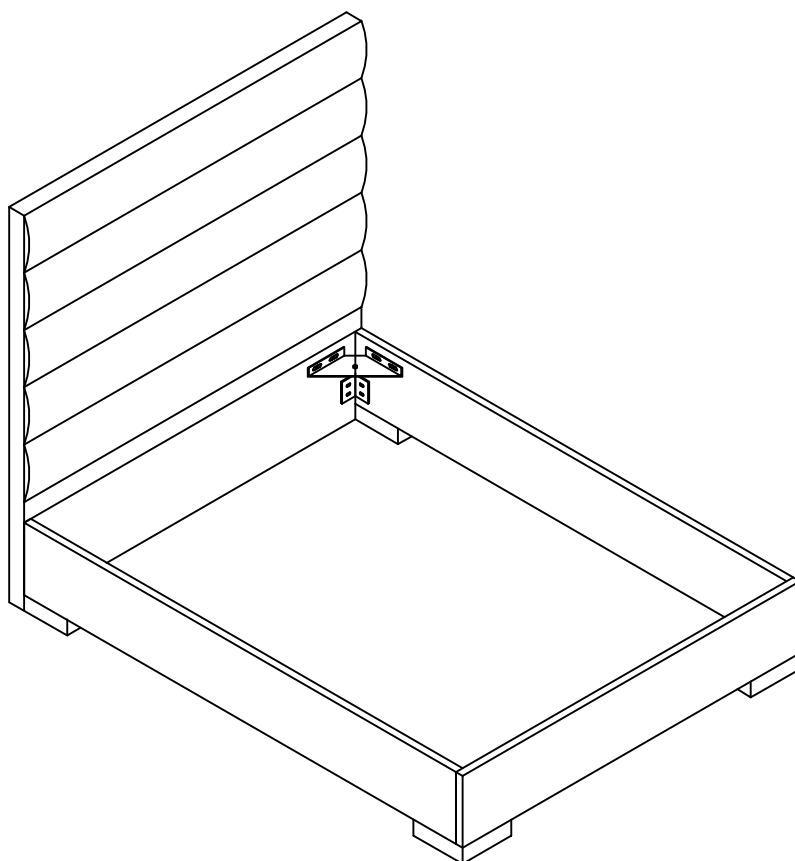


FIG.
4

