



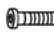

D	M6x45		1
C	∅6		3
B	M6x65		2
A	4mm		1
NO.	SIZE	DIAGRAM	QTY

FIG.
1

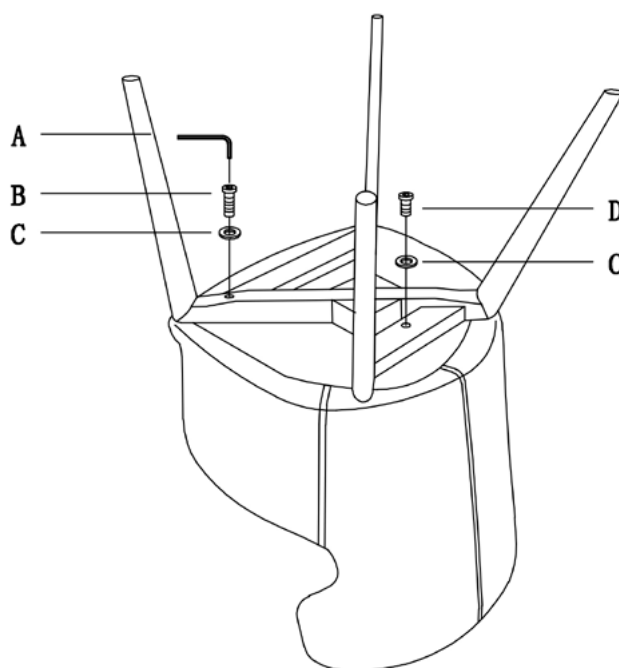


FIG.
2

