


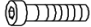

C	Ø8		8
B	M8x60		8
A	5MM		1
NO.	SIZE	DIAGRAM	QTY

FIG.
1

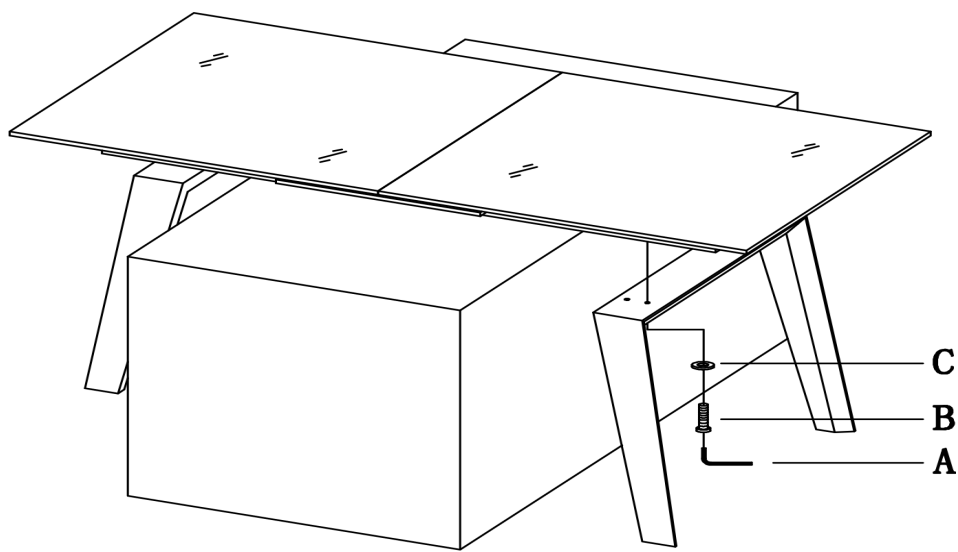
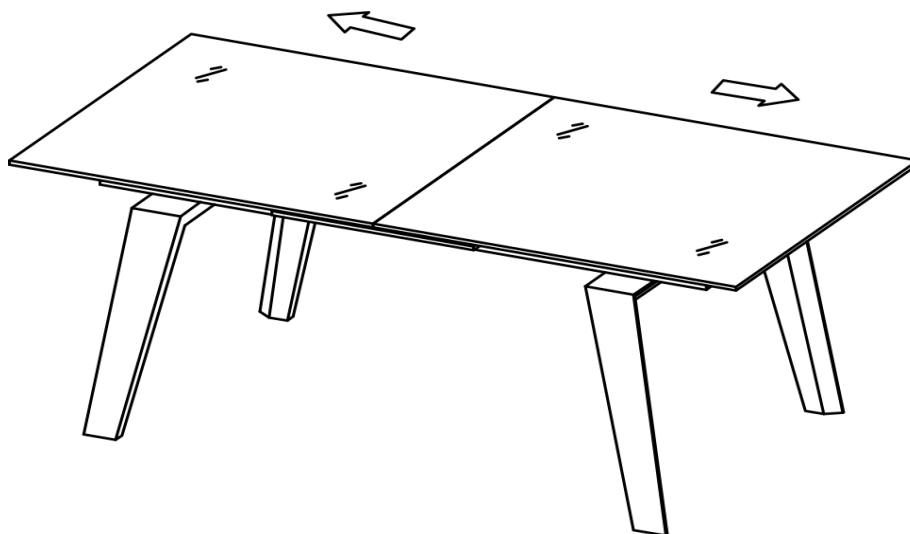
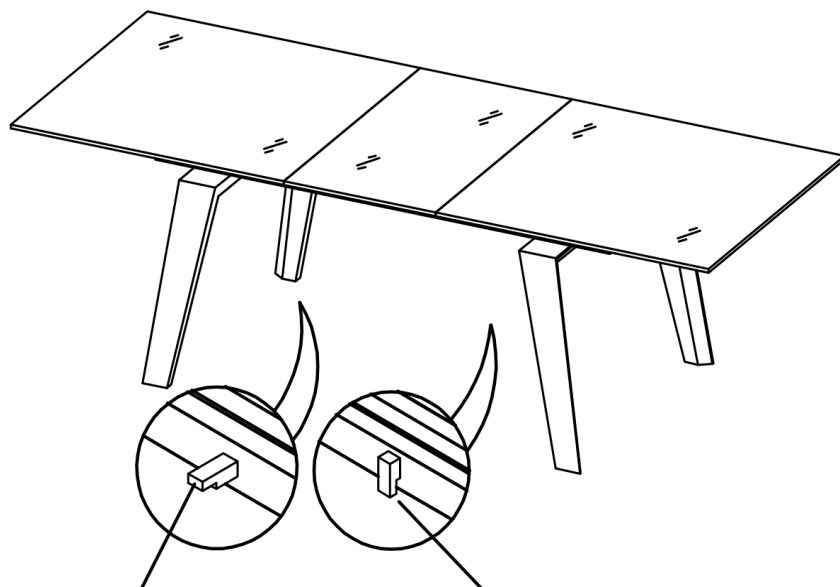


FIG.
2



Tip: pull the side glass until the extension part pops up completely.

FIG.
3



**Please open this lock if you want to open
or close the table top.**

**Please keep this lock closed if
you want to fix the table.**