

ASSEMBLY INSTRUCTION  
3086-CP1803-E-NOGAL-1820



A x8  
Spec: 5/16\*45



B x8  
Spec:  $\varnothing 8.2 * \varnothing 14$



C x8  
Spec:  $\varnothing 11.8 * \varnothing 10 * L11$



D x1  
Spec: 5#



E x4  
Spec:



F x8  
Spec:

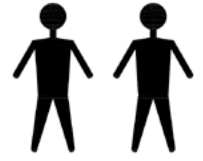
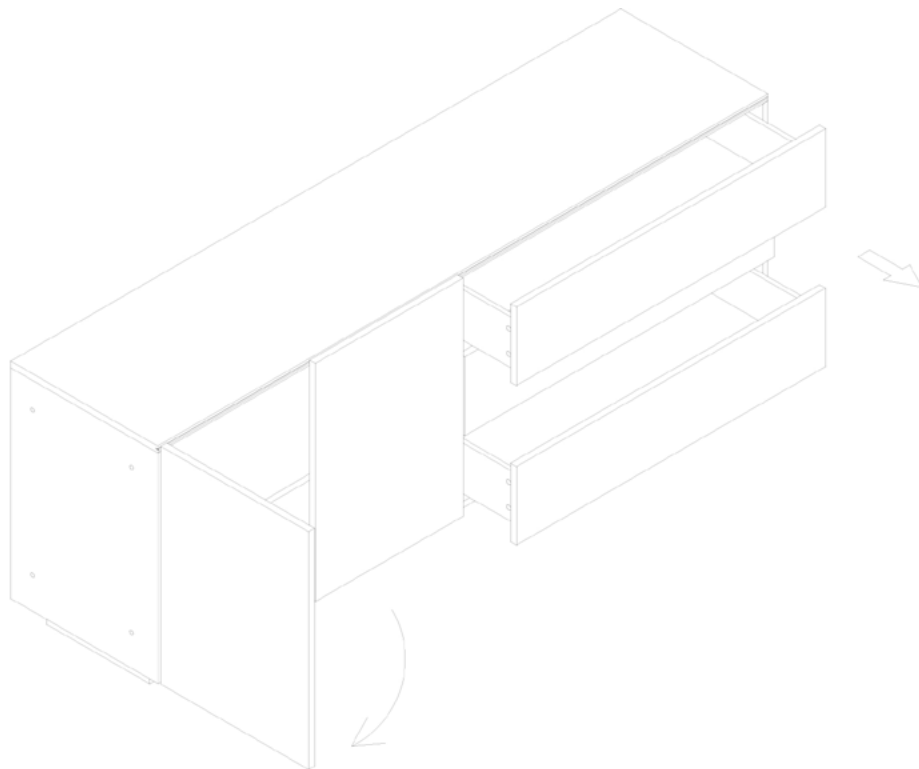
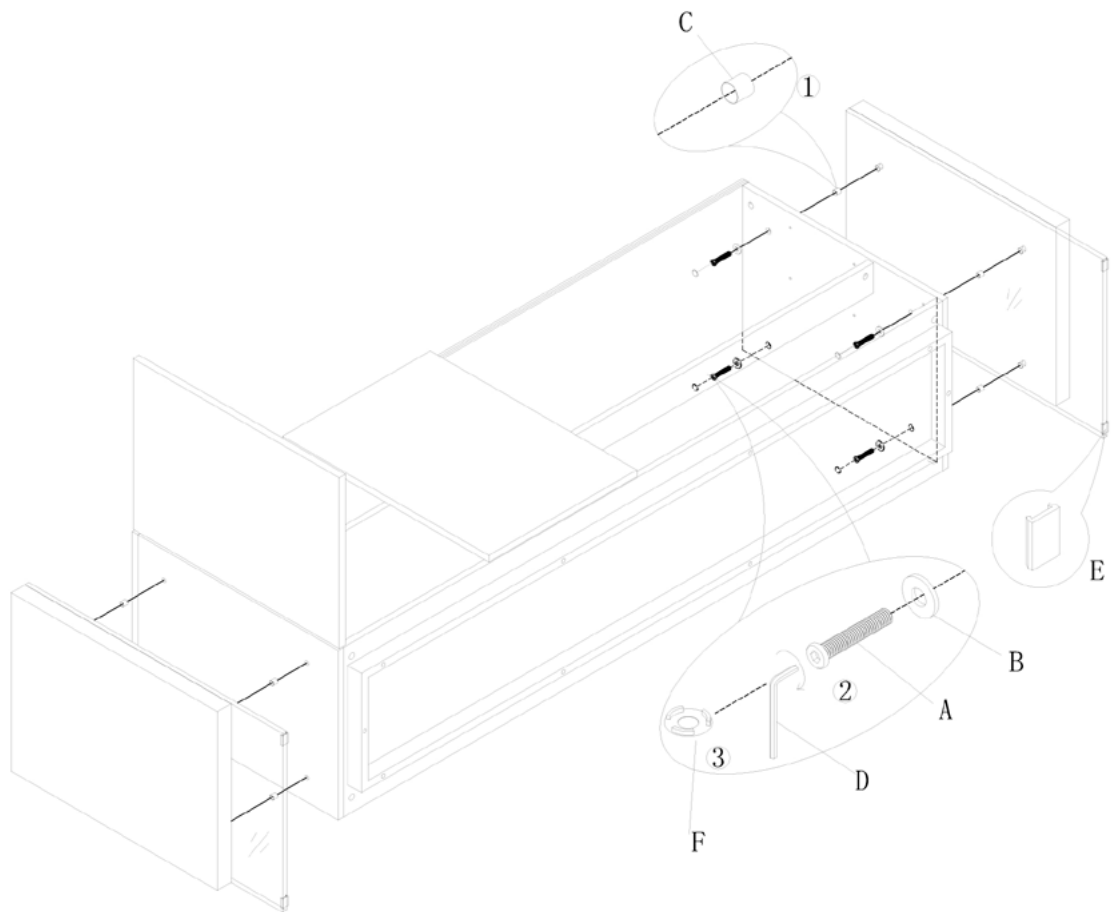


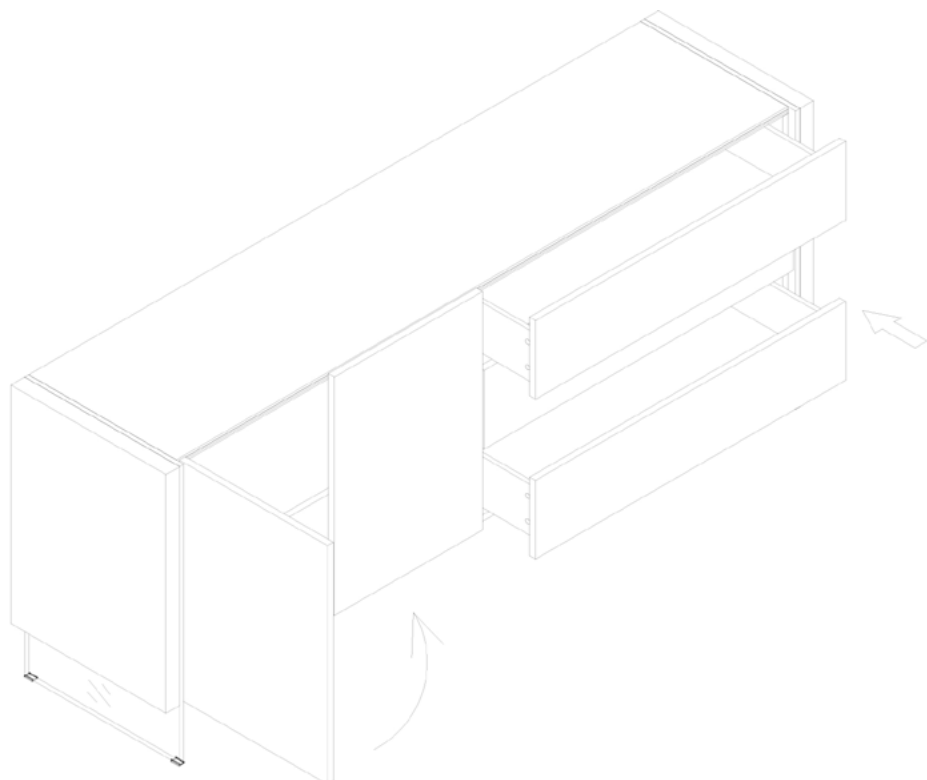
FIG.  
1



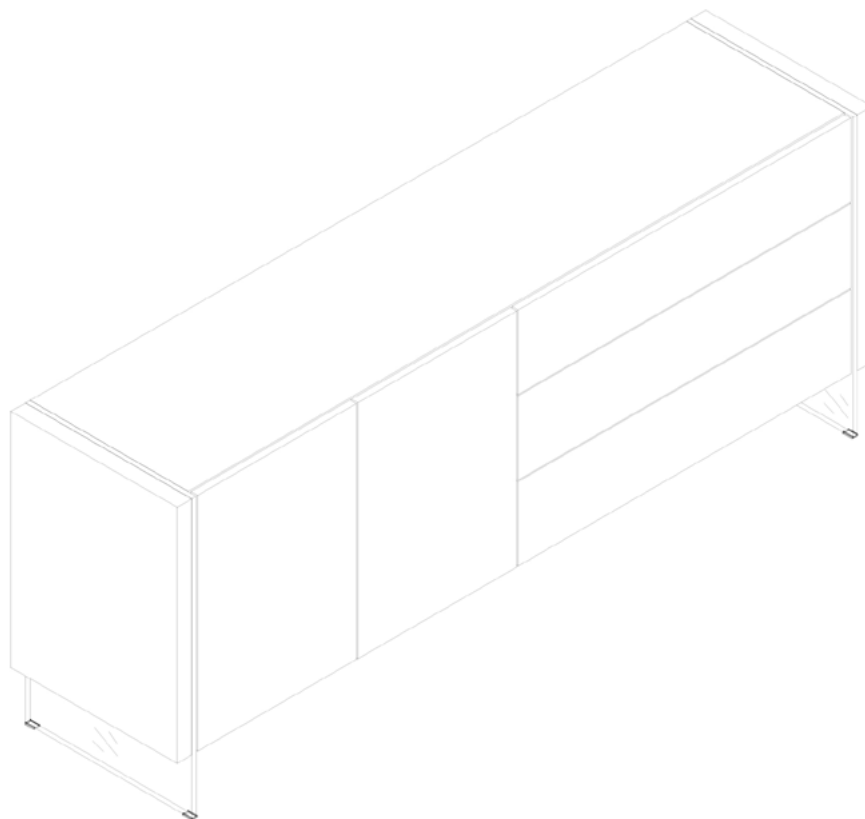
**FIG.**  
**2**



**FIG.**  
**3**



**FIG.**  
**4**



**FIG.**  
**5**

