

ASSEMBLY INSTRUCTION

B610_7040 -1800



No	Quantity	Accessory
A	8 uds.	
B	10 uds.	
C	32 uds.	8*25mm
D	4 uds.	10*30mm
E	38 uds.	5*40mm
F	10 uds.	28 mm
G	4 uds.	
H	1 uds.	22cm
I	1 uds.	

Step	Please refer to the picture for specific operations
①	Headboard / bed sides / feet: use E screws to fix pieces B and then put F
②	Assemble the headboard and sides: use screws C to fix parts A
③	Headboard / feet: fix part G with 2xE + D
④	Bed frame: Fix H and then bed frame

FIG.
1

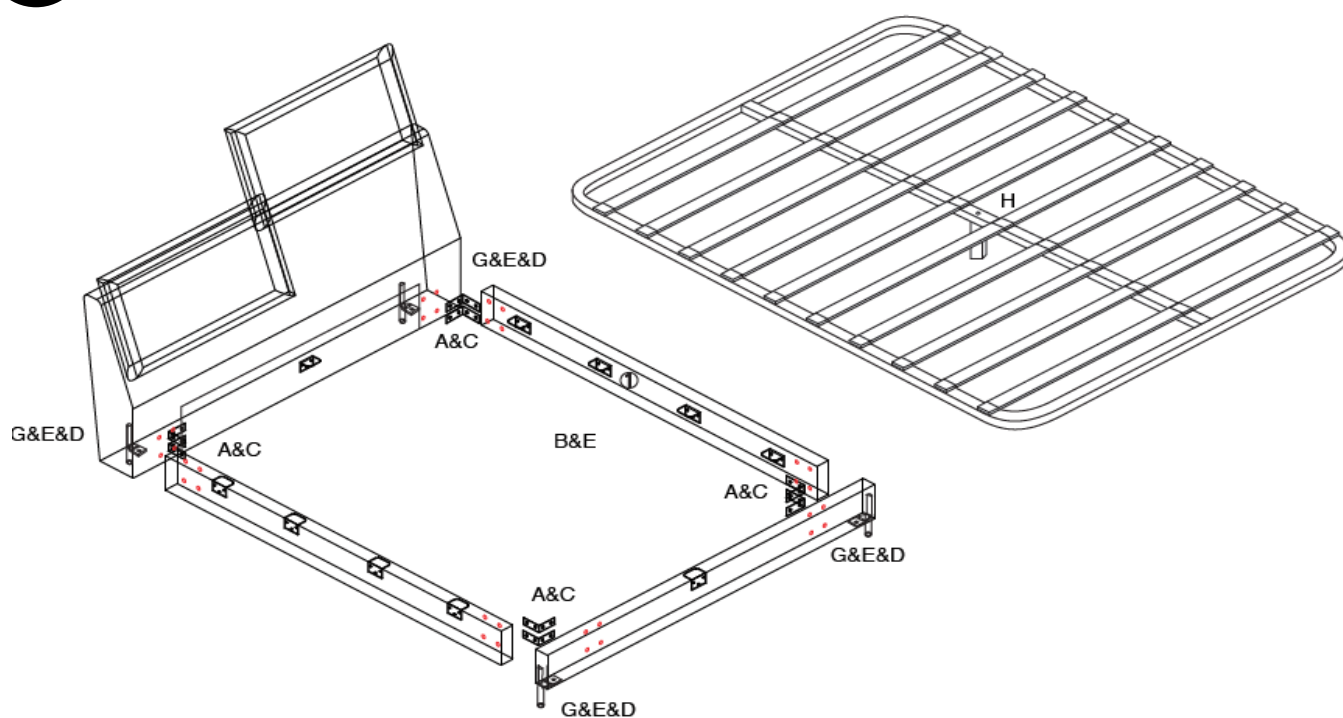


FIG.
2

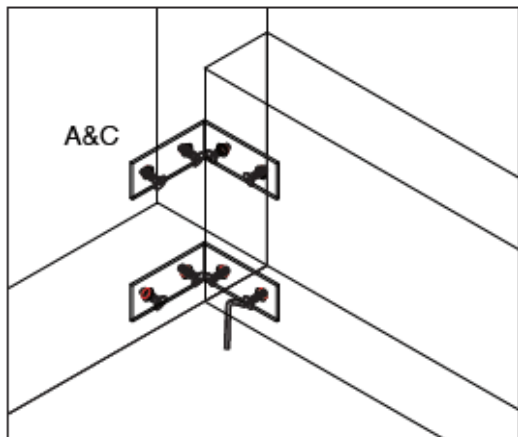


FIG.
3

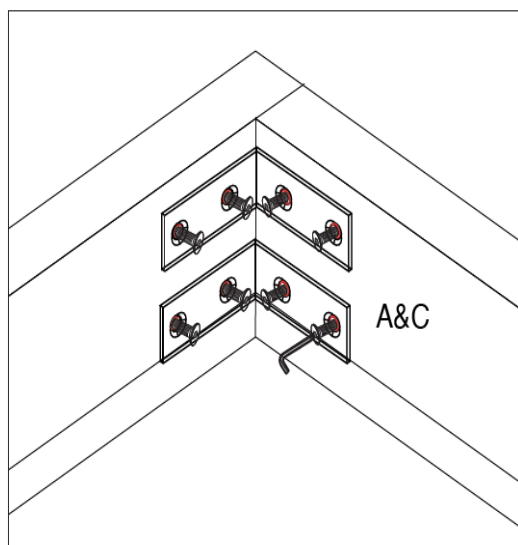


FIG.
4

