










FITTING	MOLD	SPEC	AMOUNT	FITTING	MOLD	SPEC	AMOUNT
A		Ø6*20	38PCS	G		Ø6*20	4PCS
B		Ø8*30	22PCS	H		Ø4*16	8PCS
C		16"	2PCS	K		Ø4*20	16PCS
D		mat	4PCS	L		109A	4PCS
E		greater curvature	4PCS	M			
F		greater curvature	4PCS	N			

FIG.  
1

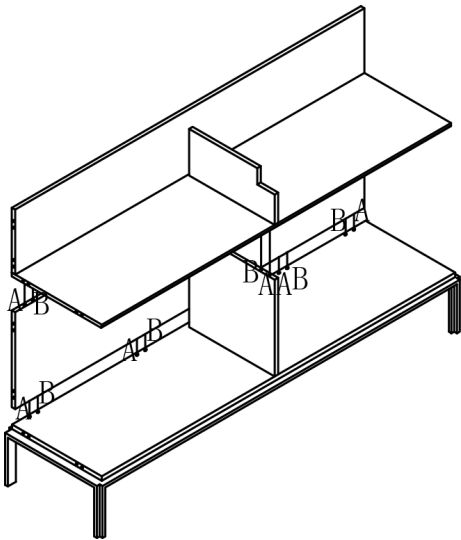


FIG.  
2

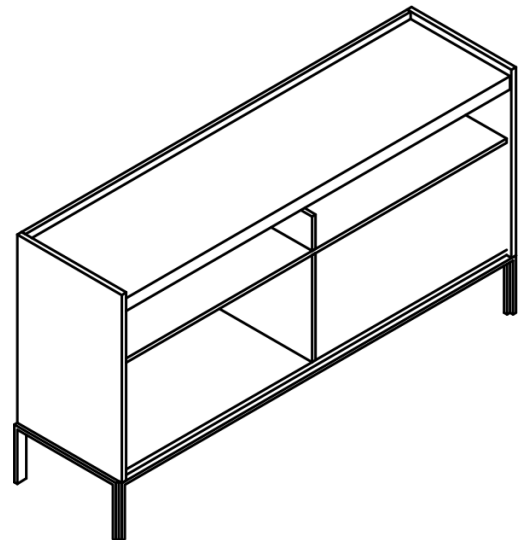


FIG.  
3

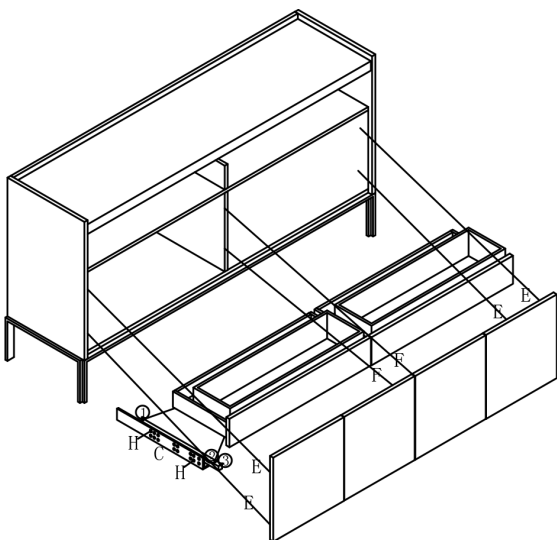


FIG.  
4

