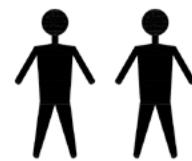


# ASSEMBLY INSTRUCTION

## CP1110-H-1134



A x8  
Spec:



B x8  
Spec:



C x8  
Spec:



D x8  
Spec:



E x1  
Spec: 5#



F x4  
Spec:



**FIG.**  
**1**

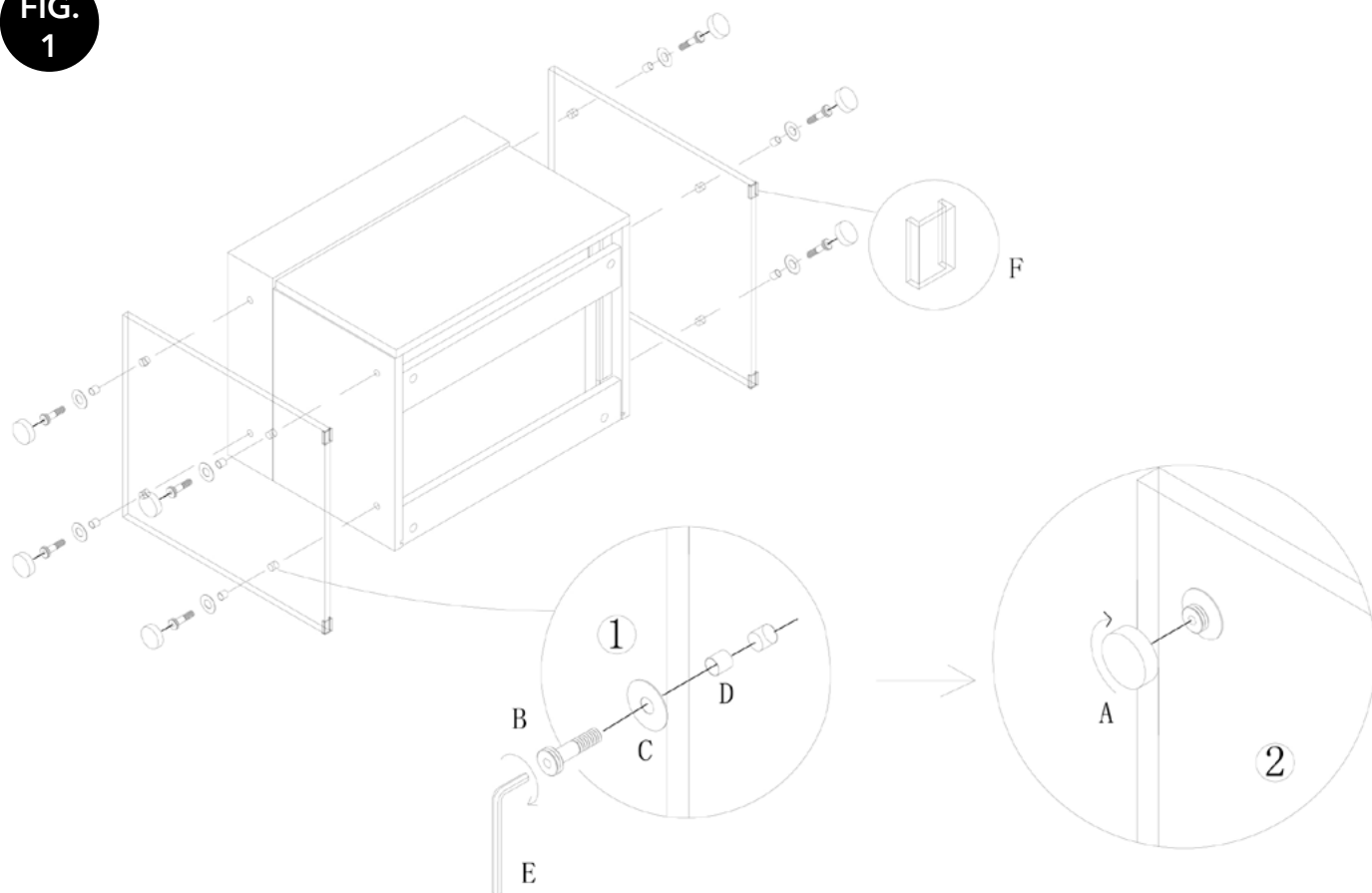
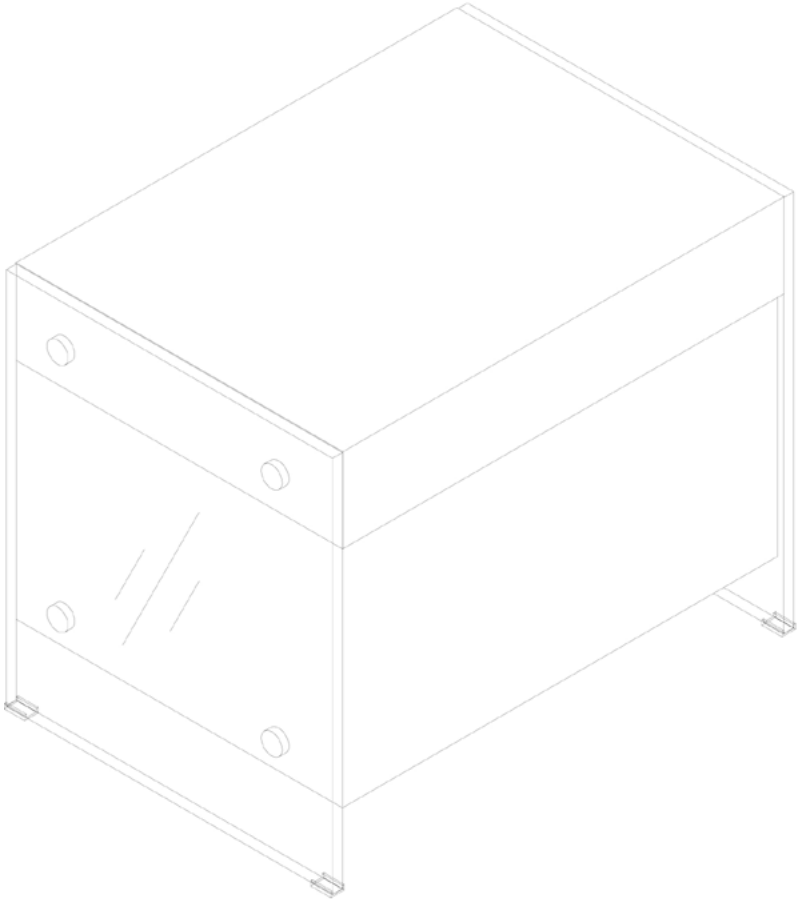
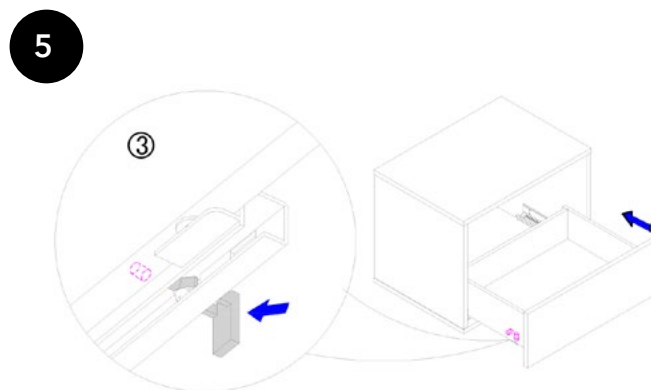
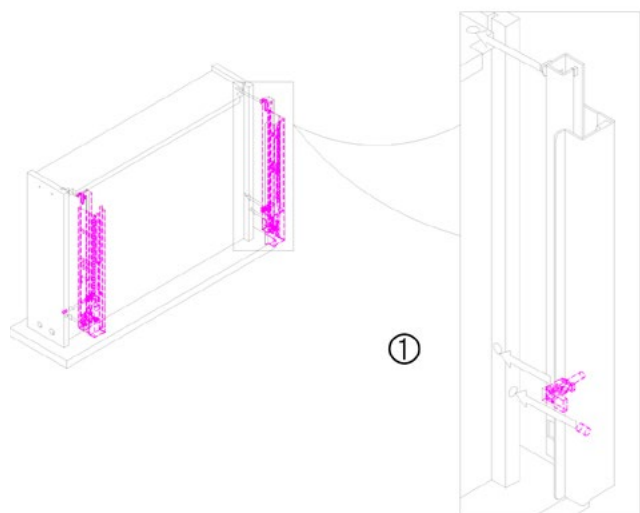
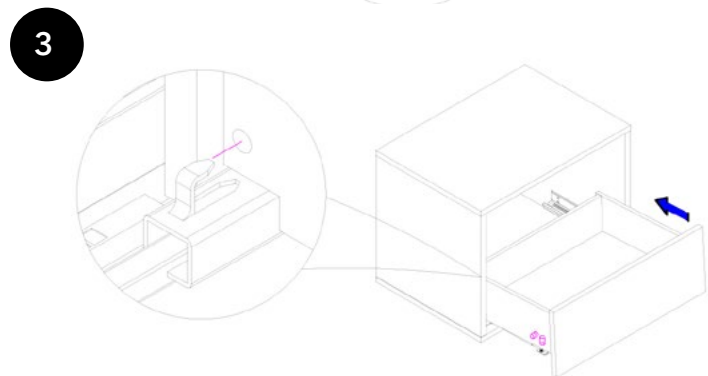
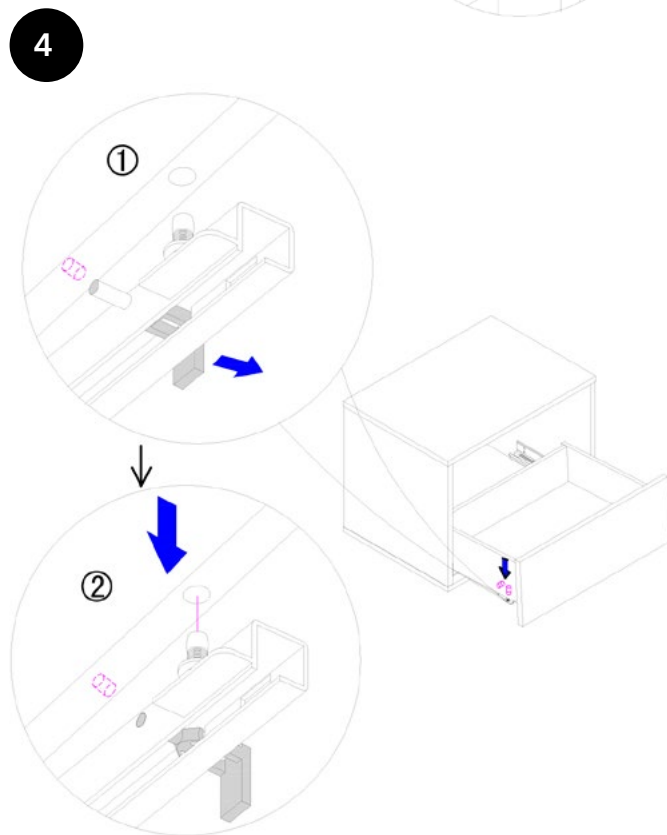
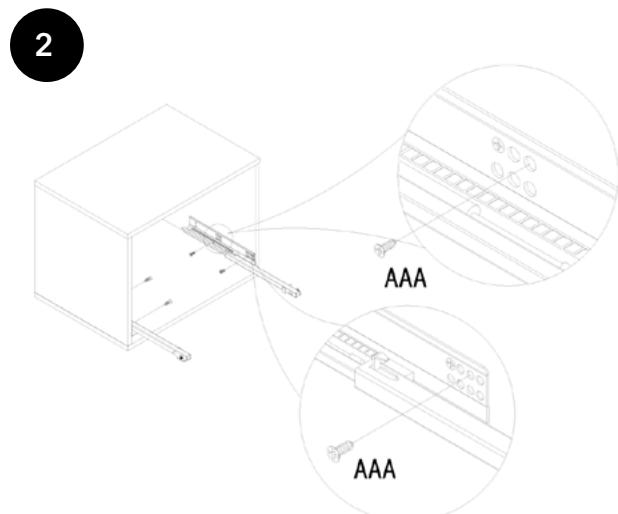
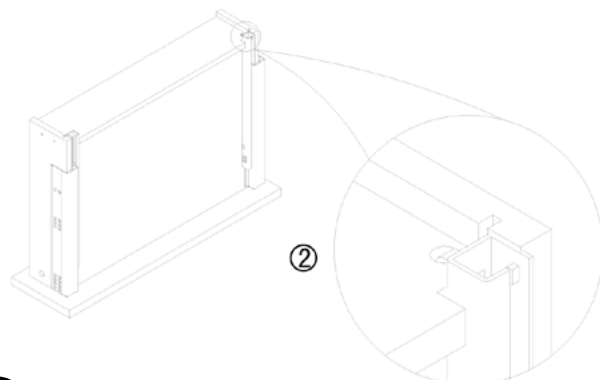
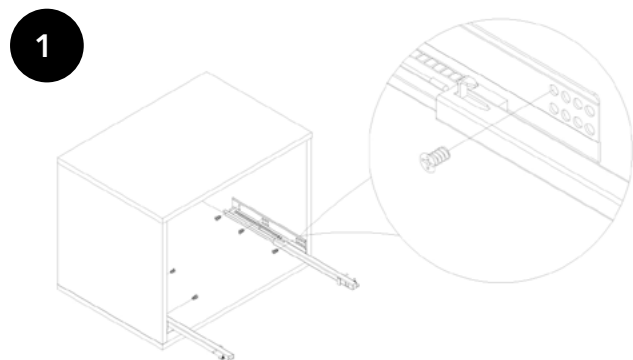


FIG.  
2



# DRAWER ASSEMBLY

CP1110-H-1134



## DRAWER RENIVAL

## ADJUSTABLE METHOD

