

ASSEMBLY INSTRUCTION

CP1302-C-1085



A x9
Spec: M6*25



B x9
Spec: M18*8, 2*2



C x2
Spec:



D x4
Spec: Ø3, 5*1,32



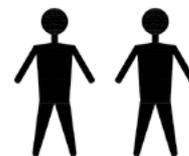
E x4
Spec:



F x6
Spec: 10*4*1



G x2
Spec: Ø4*L16



H x2
Spec:



I x6
Spec: 38*38



FIG. 1

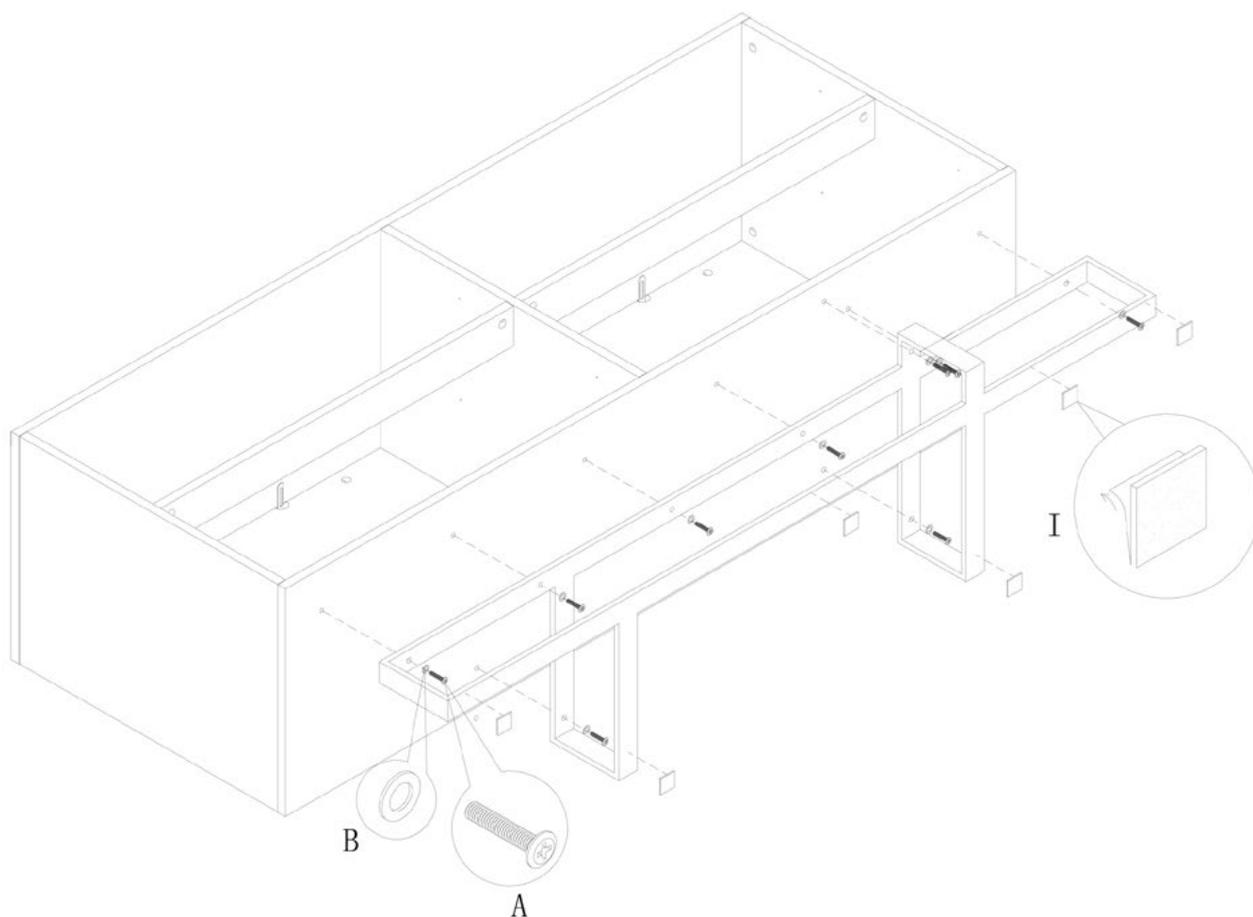


FIG.
2

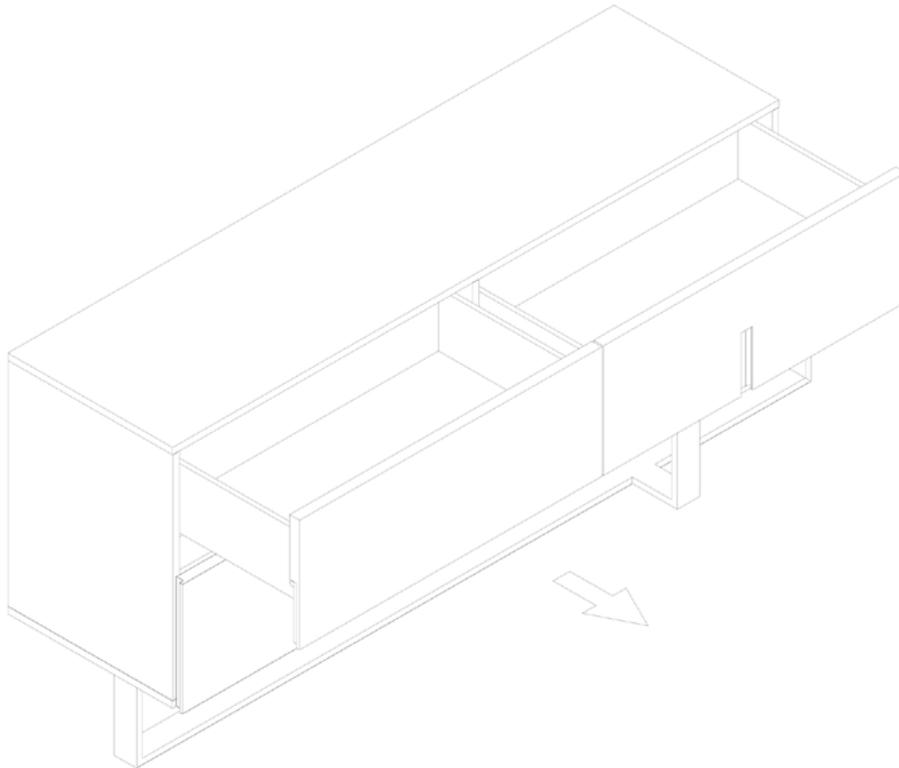


FIG.
3

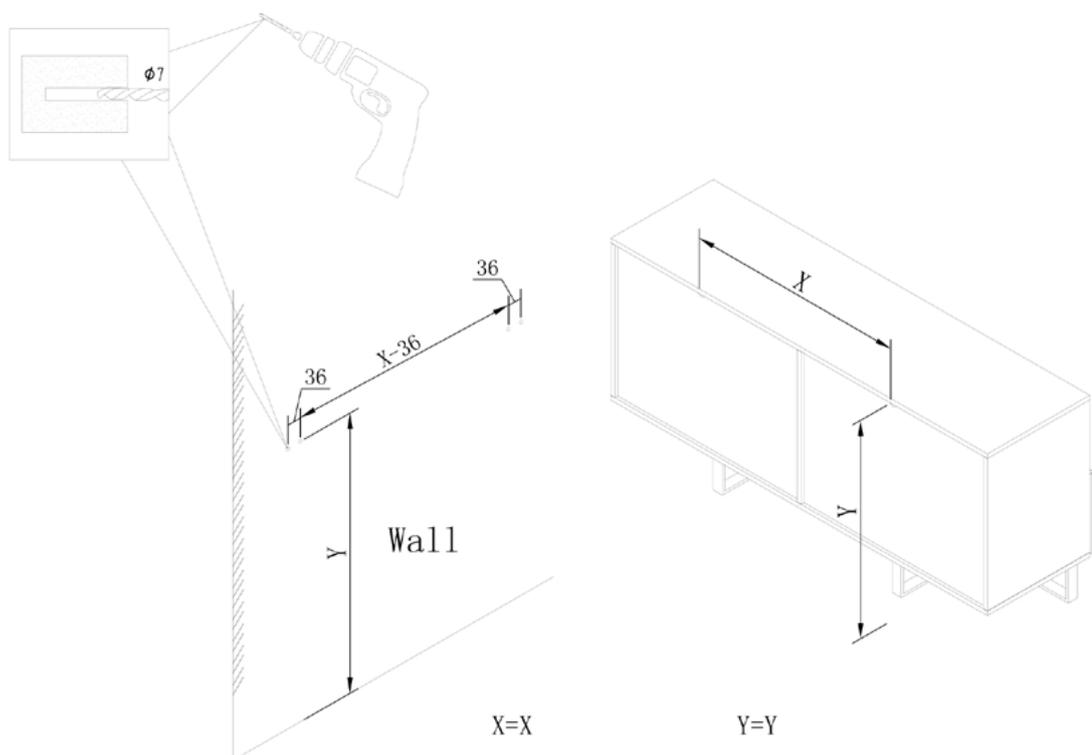


FIG.
4

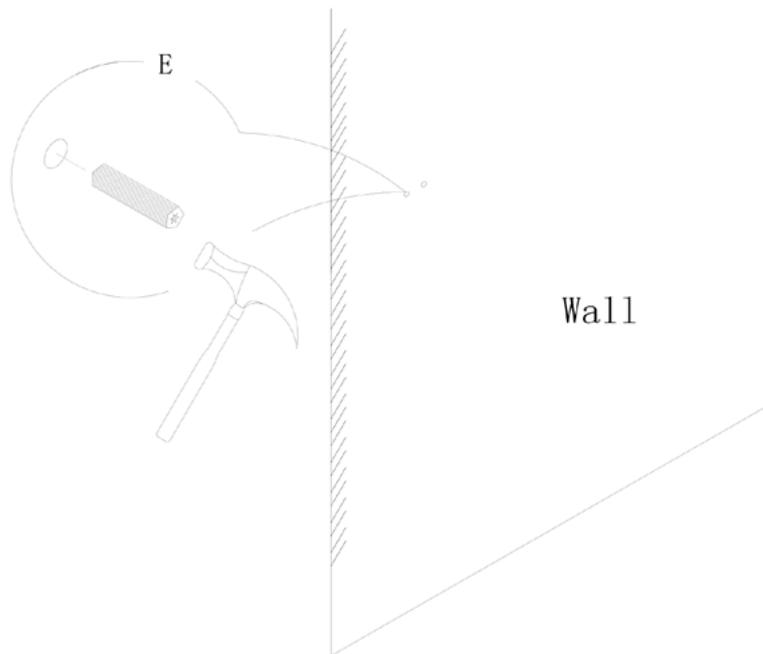


FIG.
5

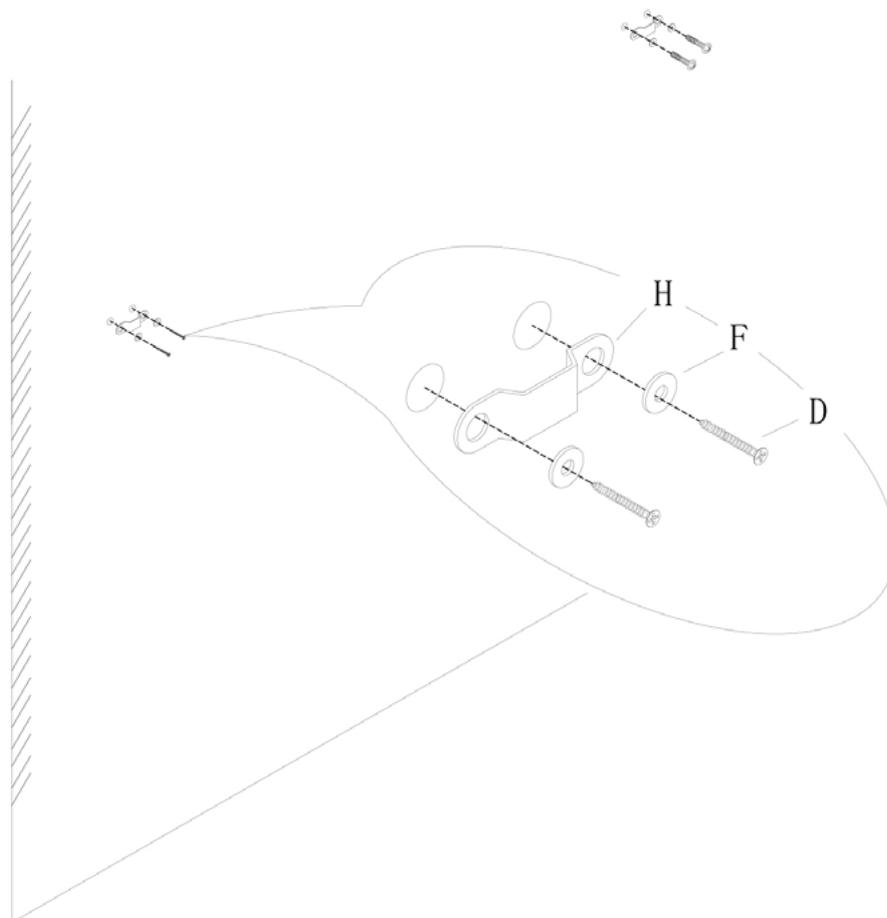


FIG.
6

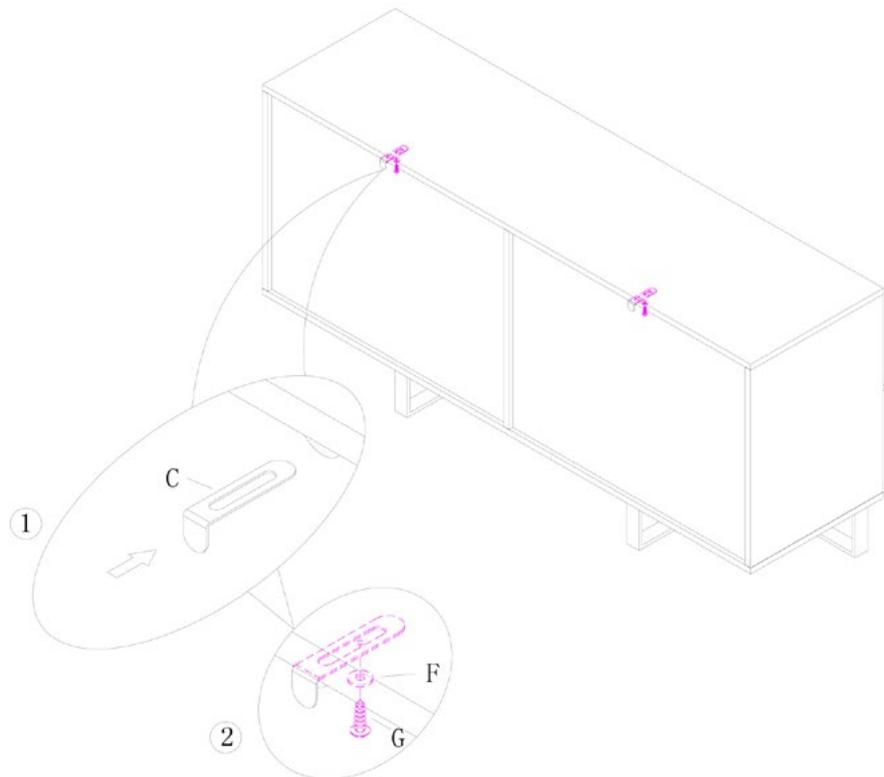


FIG.
7

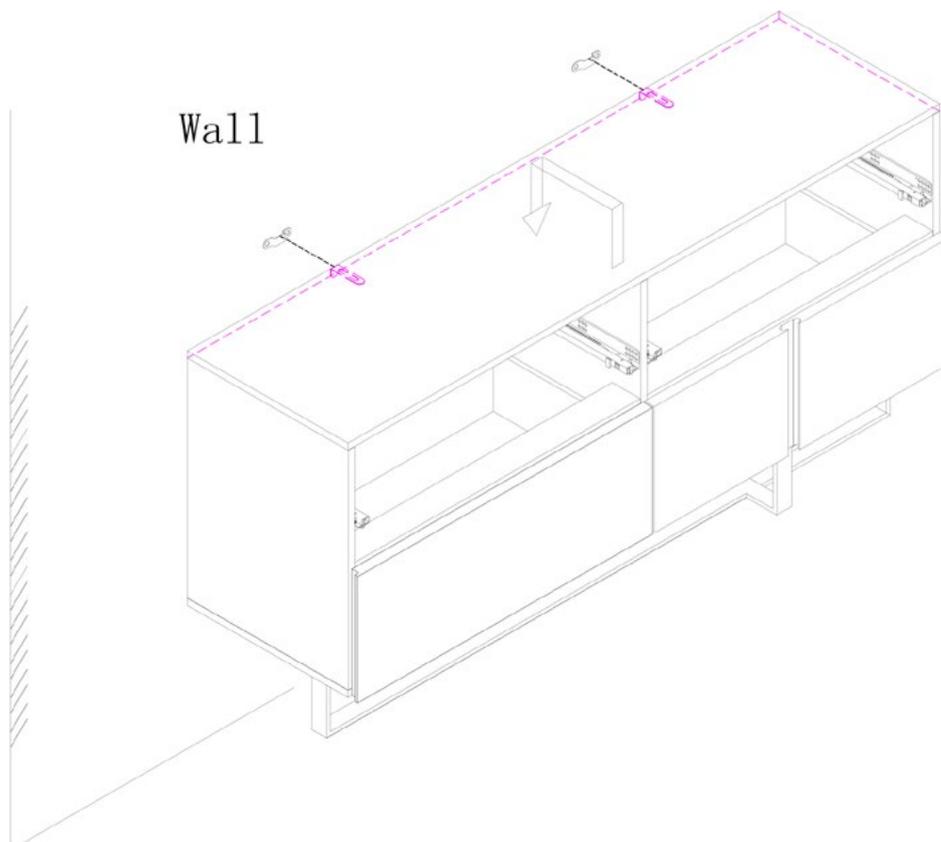


FIG.
8

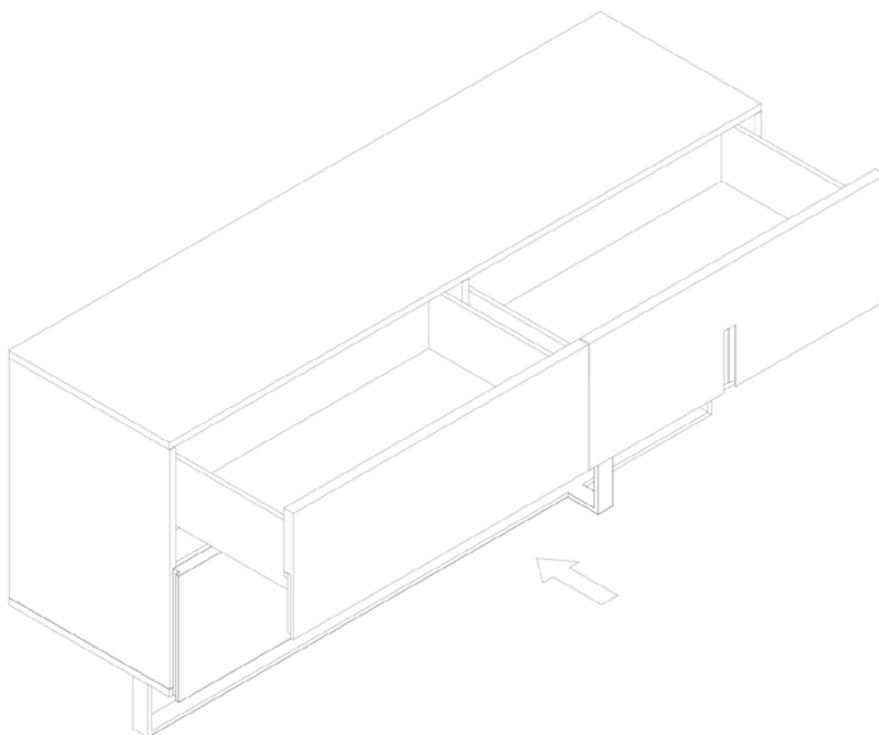
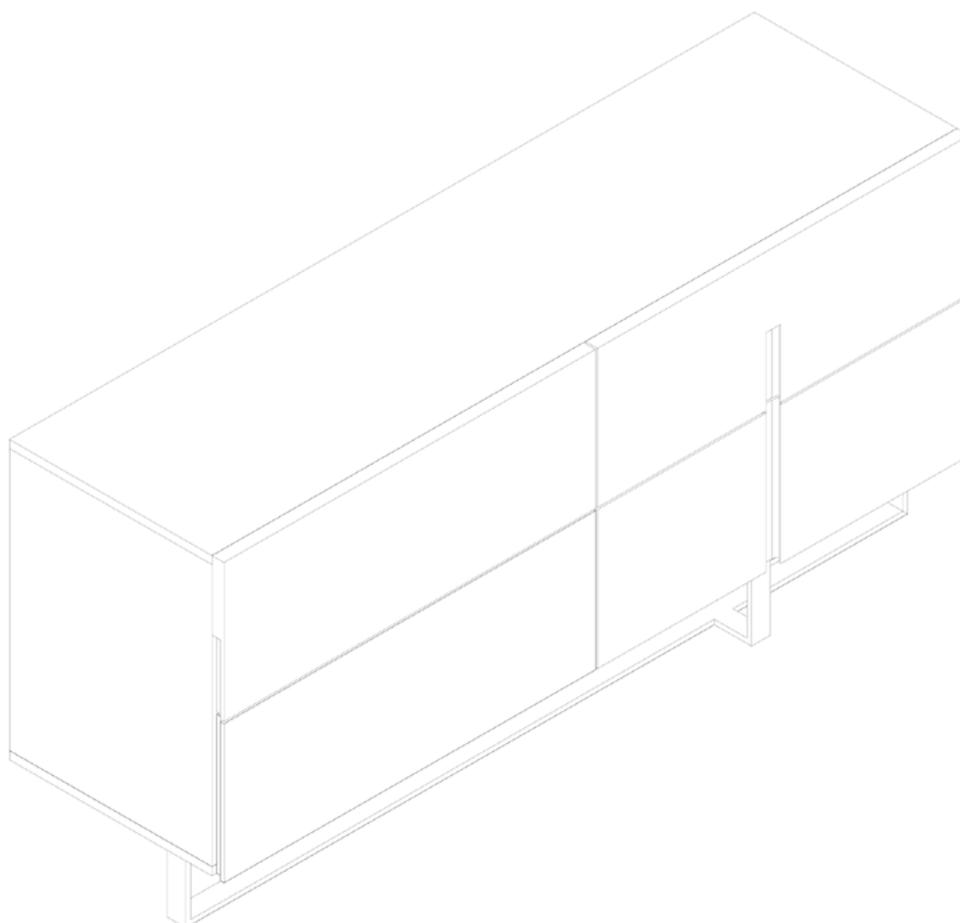
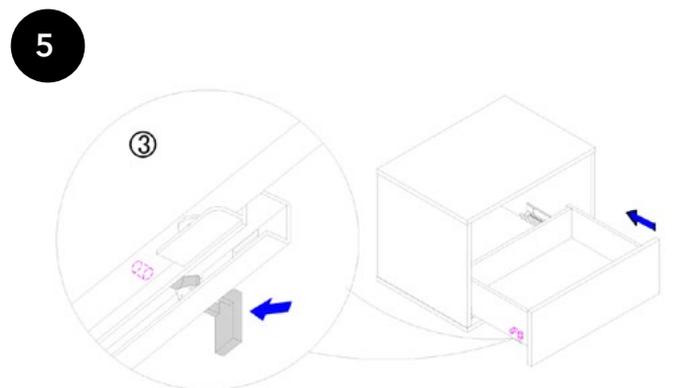
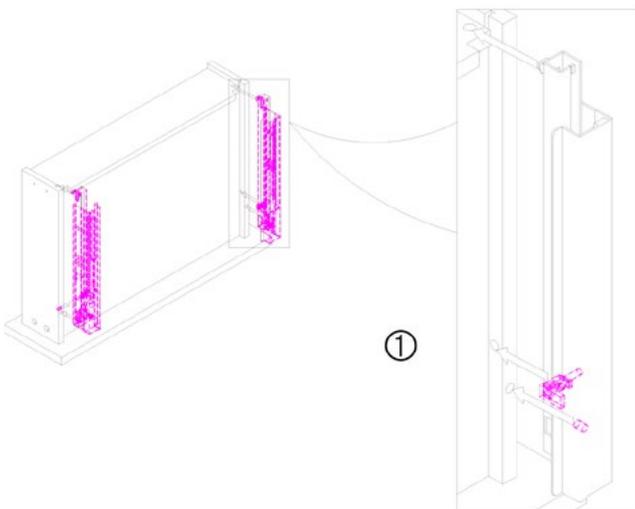
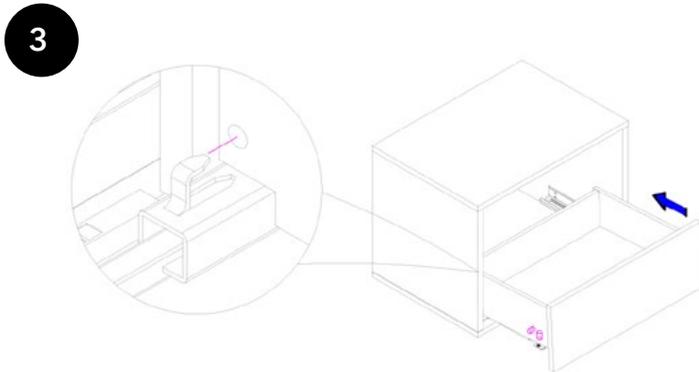
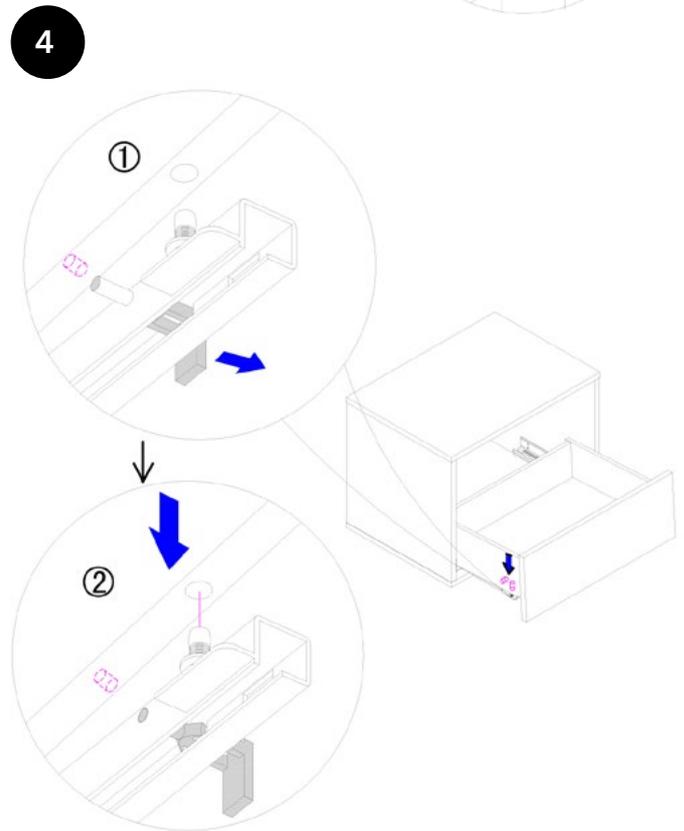
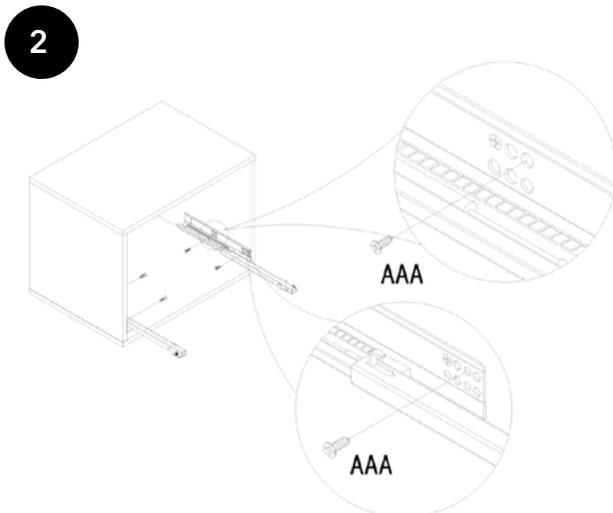
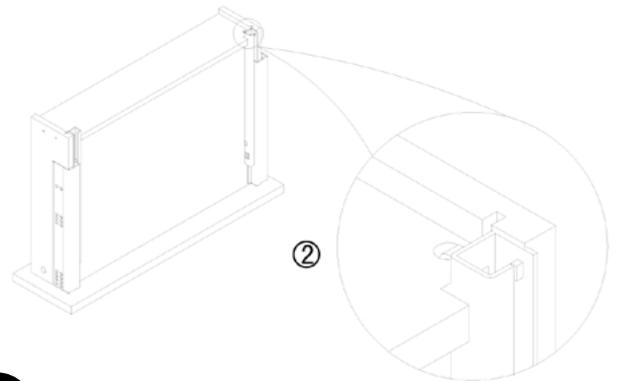
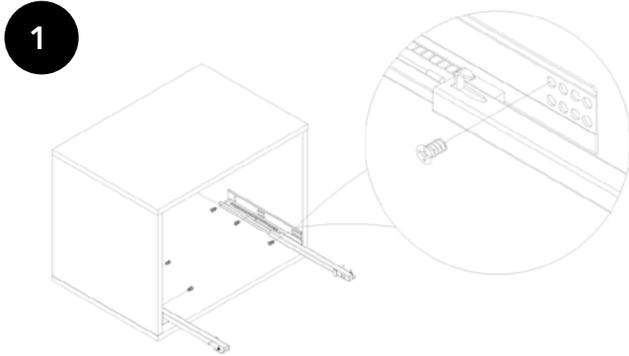


FIG.
9



DRAWER ASSEMBLY

CP1302-C-1085



DRAWER RENIVAL

ADJUSTABLE METHOD

