

ASSEMBLY INSTRUCTION

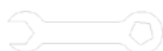
CP1712-D-1649



A x16
Spec: M8*L95



B x32
Spec: M8



C x2
Spec: 14#



D x16
Spec: 12*Φ11.8



E x32
Spec: Ø8*Ø18



F x4
Spec:

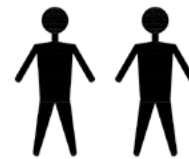


FIG.
1

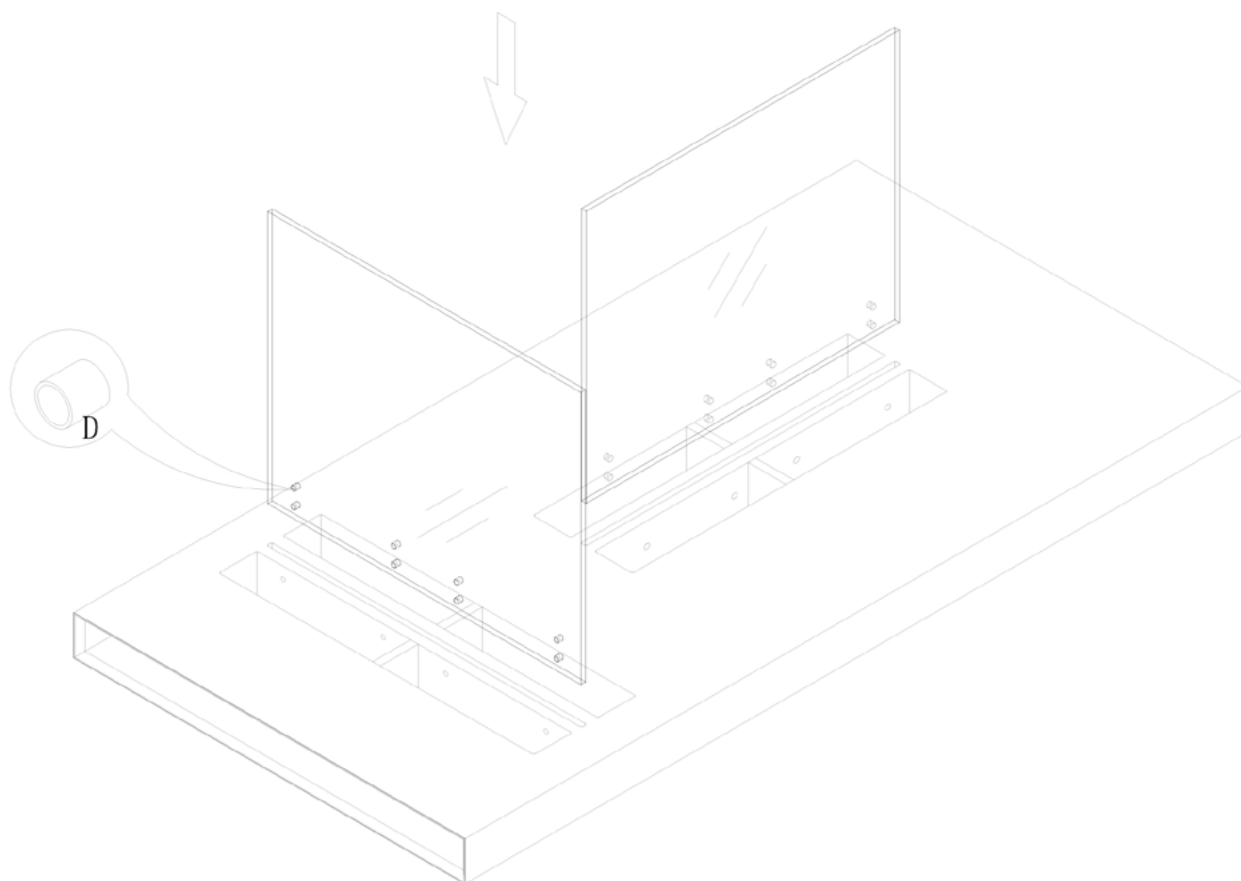


FIG.
2

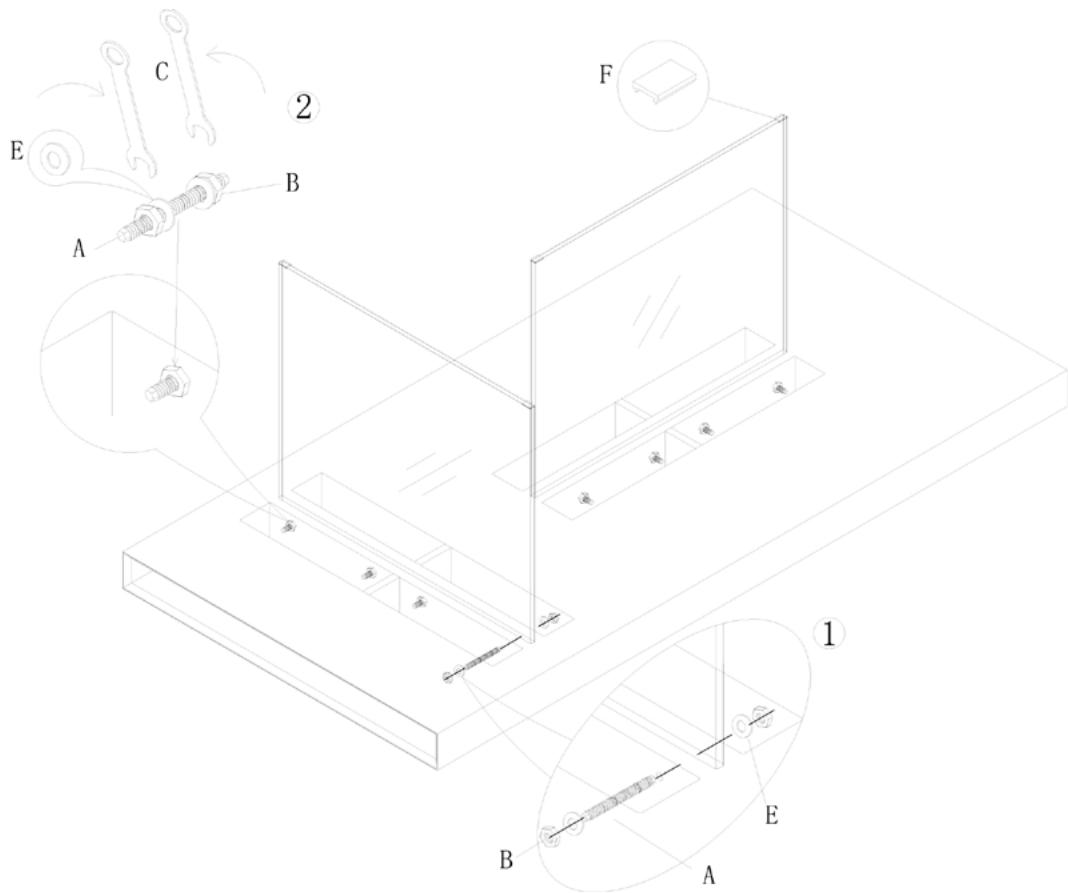


FIG.
3

ADJUSTABLE METHOD

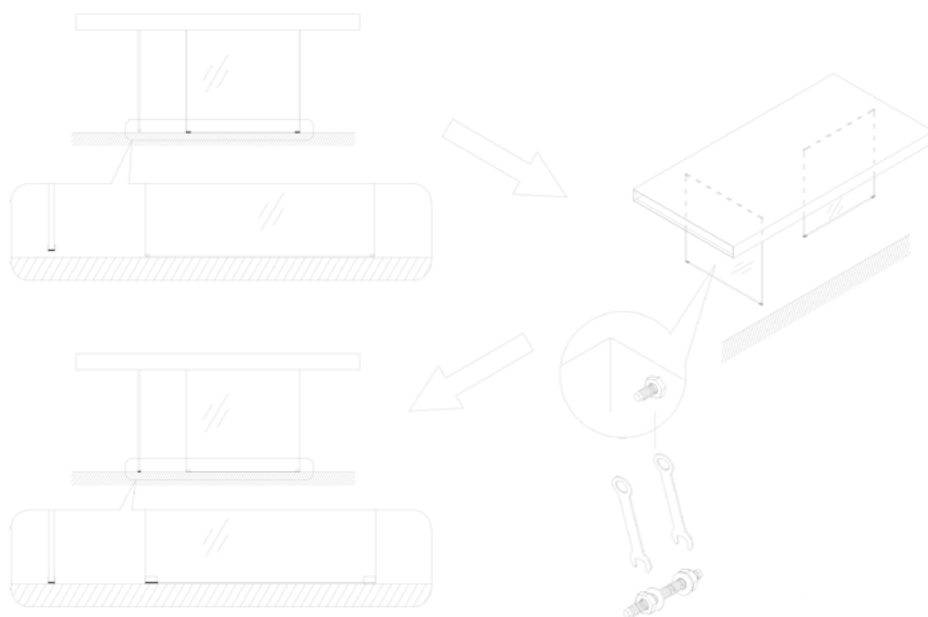


FIG.
4

