

ASSEMBLY INSTRUCTION

CP1712-DK-1661



A x4
Spec: $\varnothing 8 \times 30$



B x4
Spec:



C x8
Spec: $\varnothing 11.8 \times \varnothing 10 \times L11$



D x8
Spec: $5/16 \times 15$



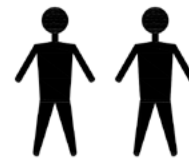
E x8
Spec: $\varnothing 8 \times \varnothing 14$



F x1
Spec: 4#



G x1
Spec: 5#



H x4
Spec: 20×20



I x8
Spec:



FIG.
1

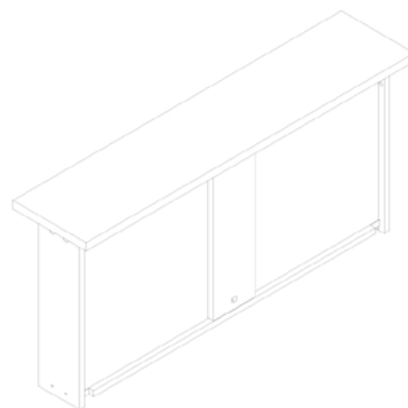
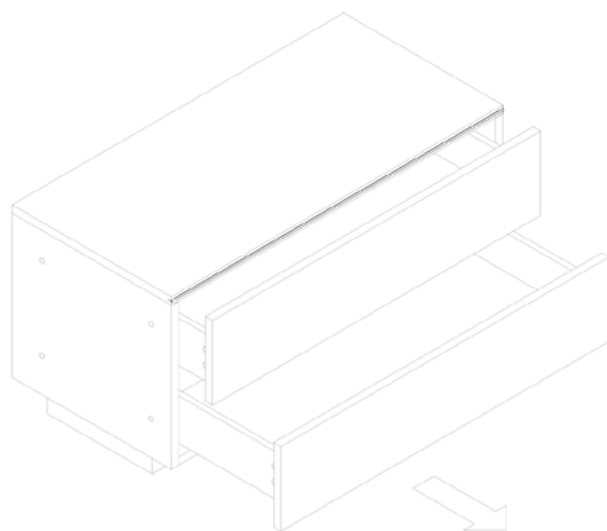


FIG.
2

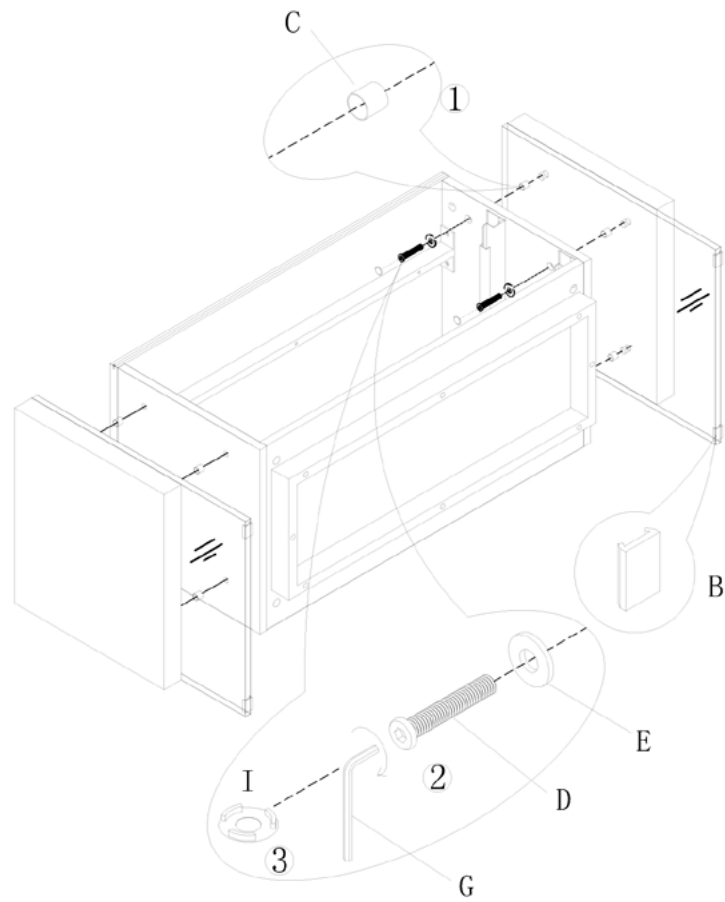


FIG.
3

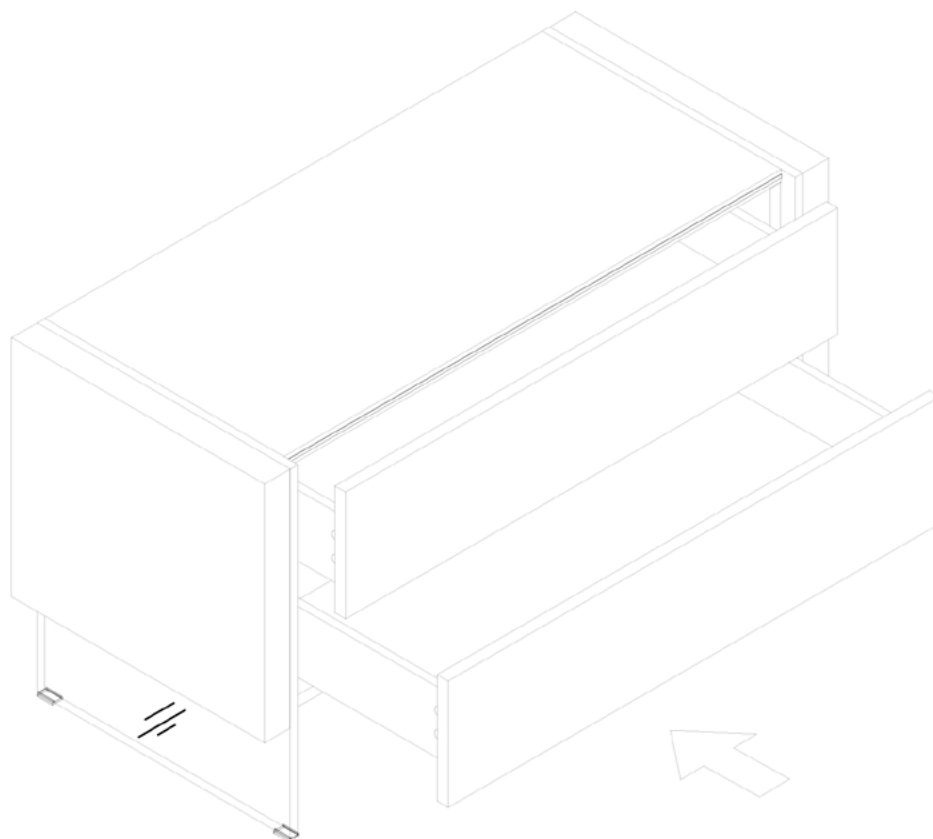


FIG.
4

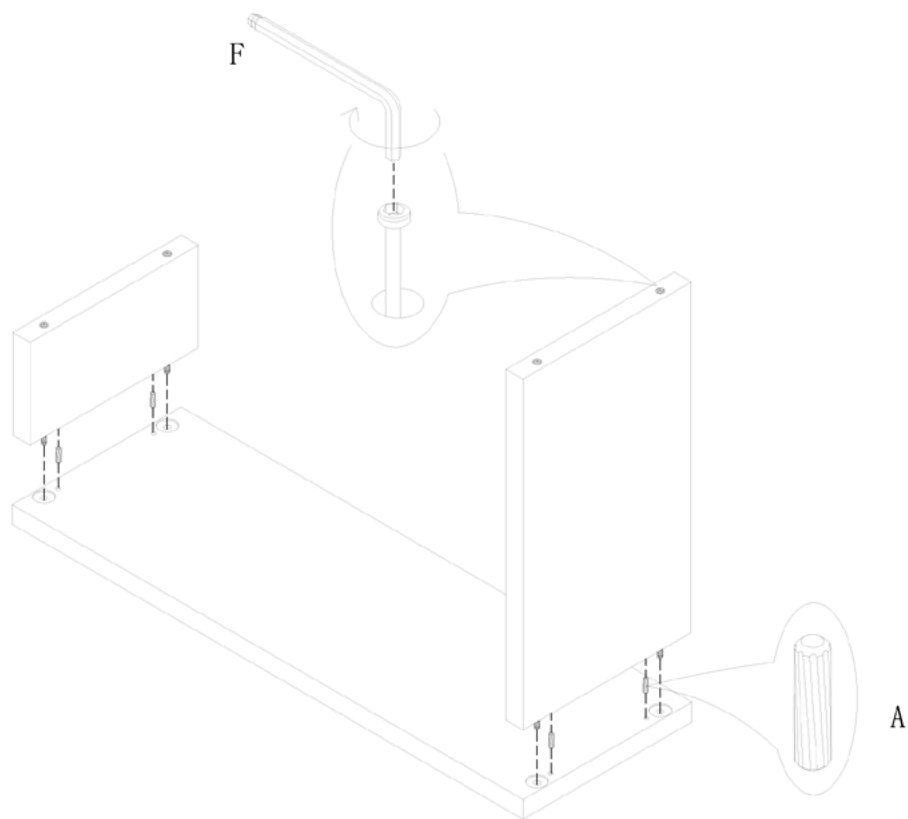


FIG.
5

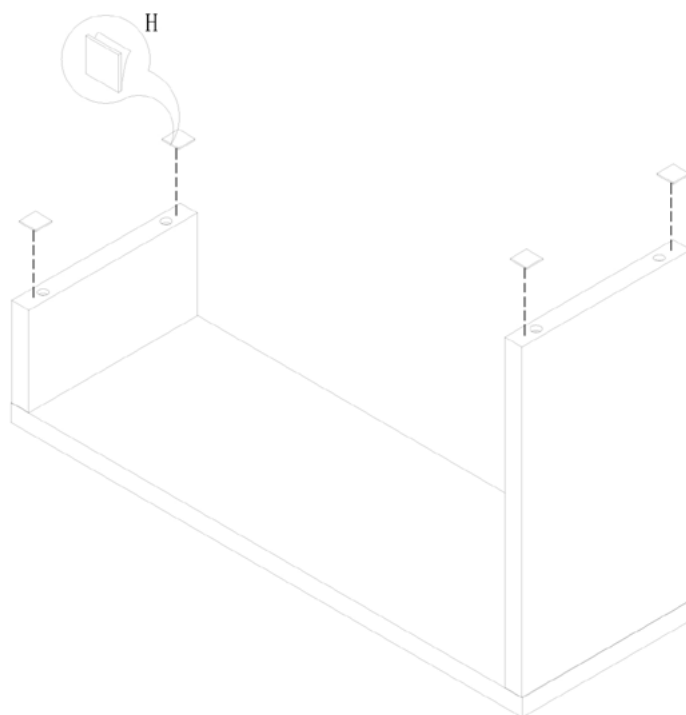


FIG.
6

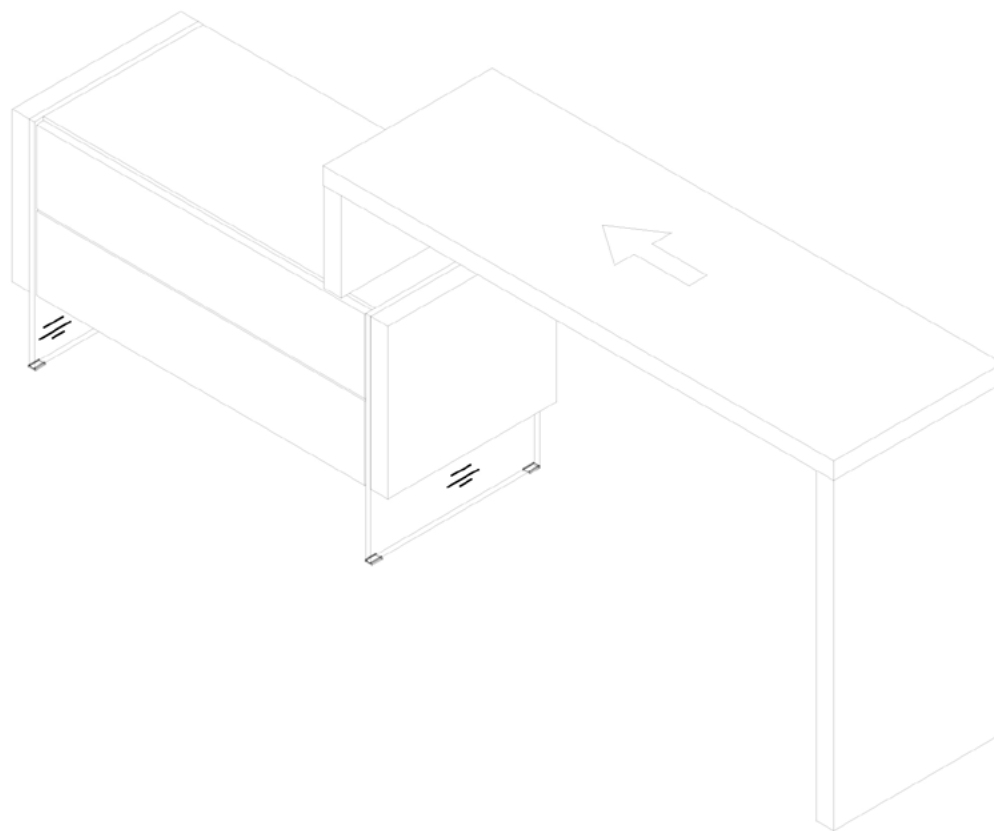


FIG.
7

