






C	D	E	F	G
 M8x16	 M8x12	 PVC		
8 PCS	4 PCS	4 PCS	1 PC	1 PC

FIG.
1

Attention: Must match legs(A) & legs(B) with the stickers(A) & (B) on connection part for assembly.

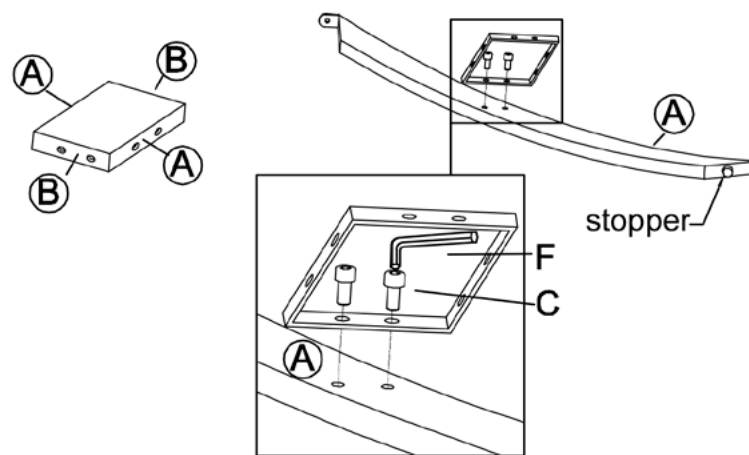


FIG.
2

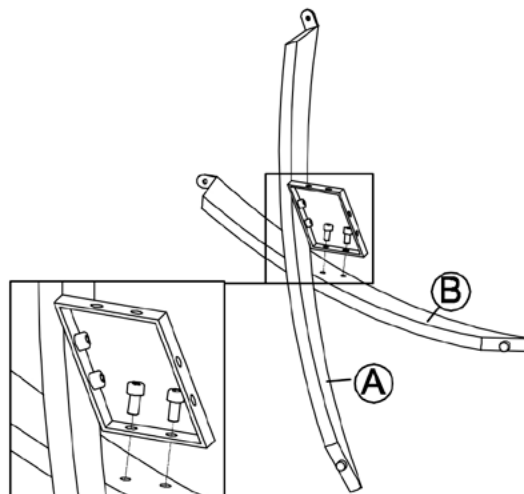


FIG.
3

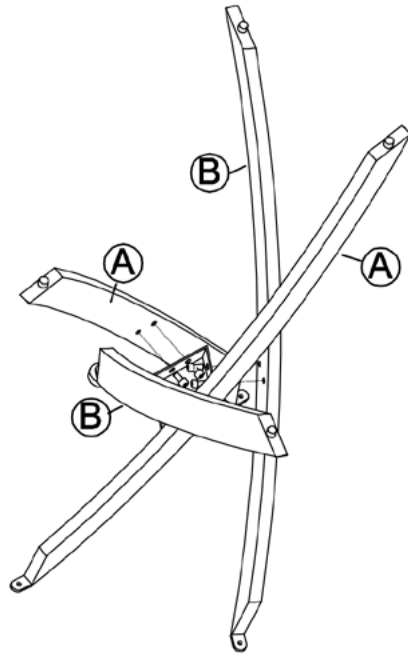


FIG.
4

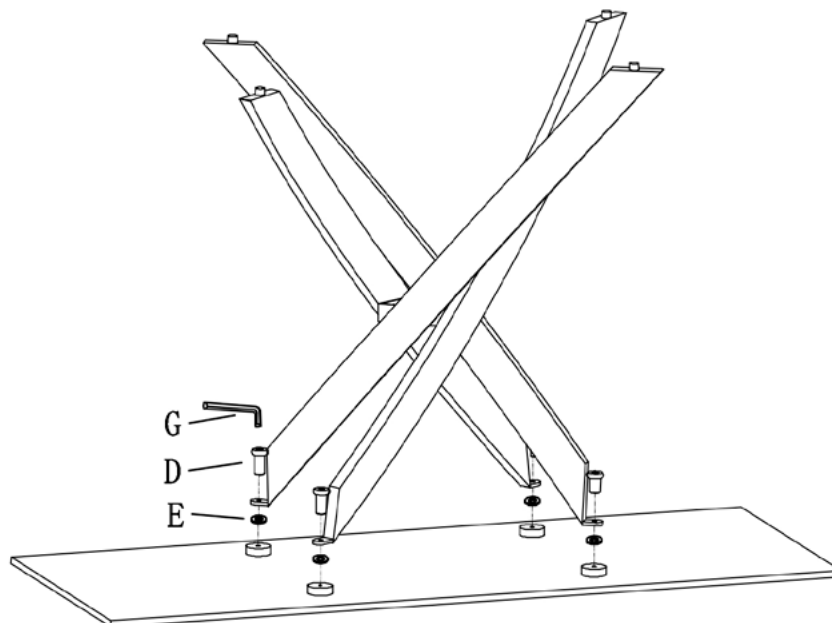


FIG.
5

