

ASSEMBLY INSTRUCTION
1112-MC22102DT-2427



A	B	C	D	E	F	G
1 PC	2 PCS	2 PCS	2 PCS	16PCS	1PC	1 PC

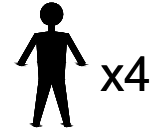


FIG. 1

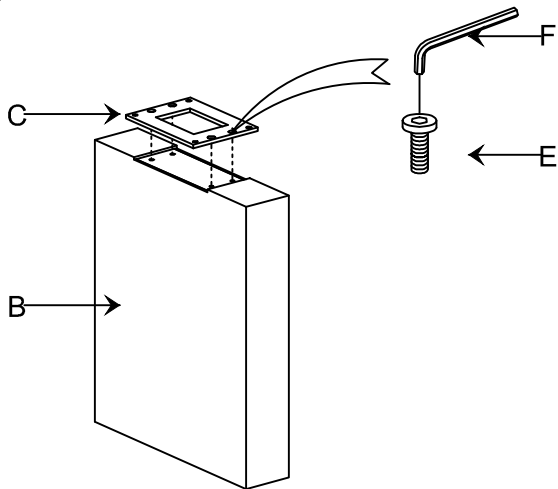


FIG. 2

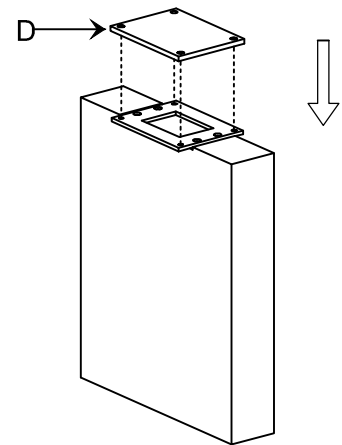
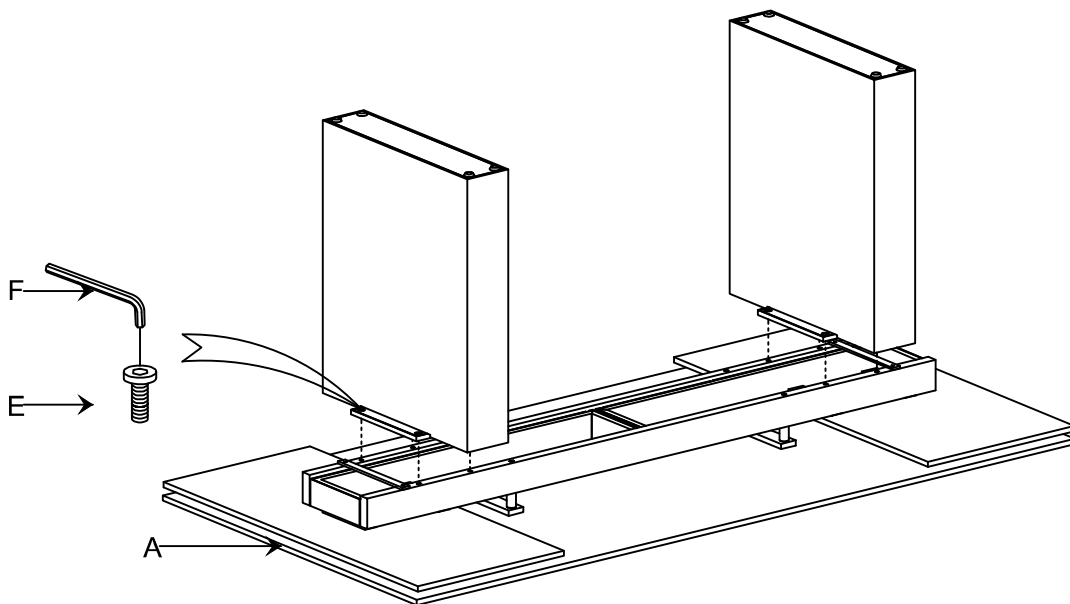





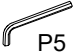

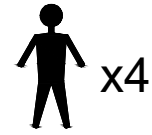


FIG. 3



A	B	C	D	E	F	G
						
1 PC	2 PCS	2 PCS	2 PCS	16 PCS	1 PC	1 PC



ADJUSTMENT

FIG. 4

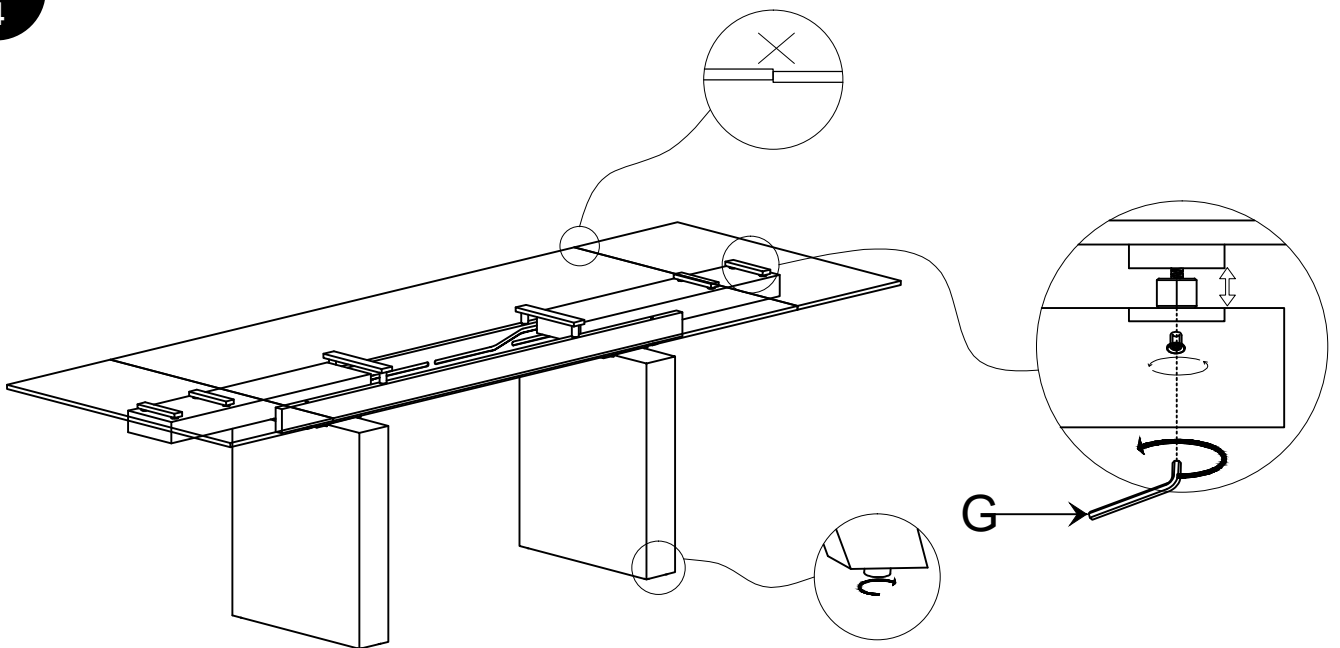
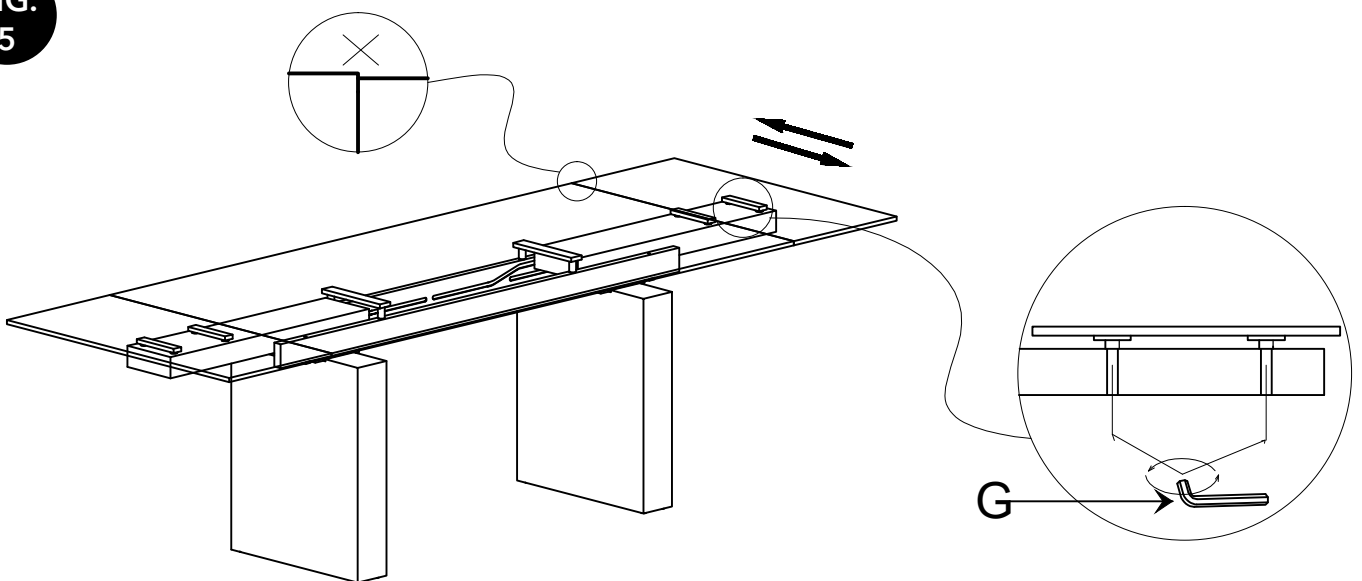









FIG. 5



A	B	C	D	E	F	G
				 M8*20	 P5	 P4
1 PC	2 PCS	2 PCS	2 PCS	16PCS	1PC	1PC



ADJUSTMENT

FIG.
6

