

ASSEMBLY INSTRUCTION  
1115-MC1772DT-2437



A	B	C	D	E	F	G
1 PC	2 PCS	8 PCS	8 PCS	1 PC	1 PC	1 PC

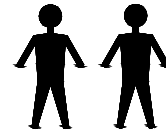


FIG. 1

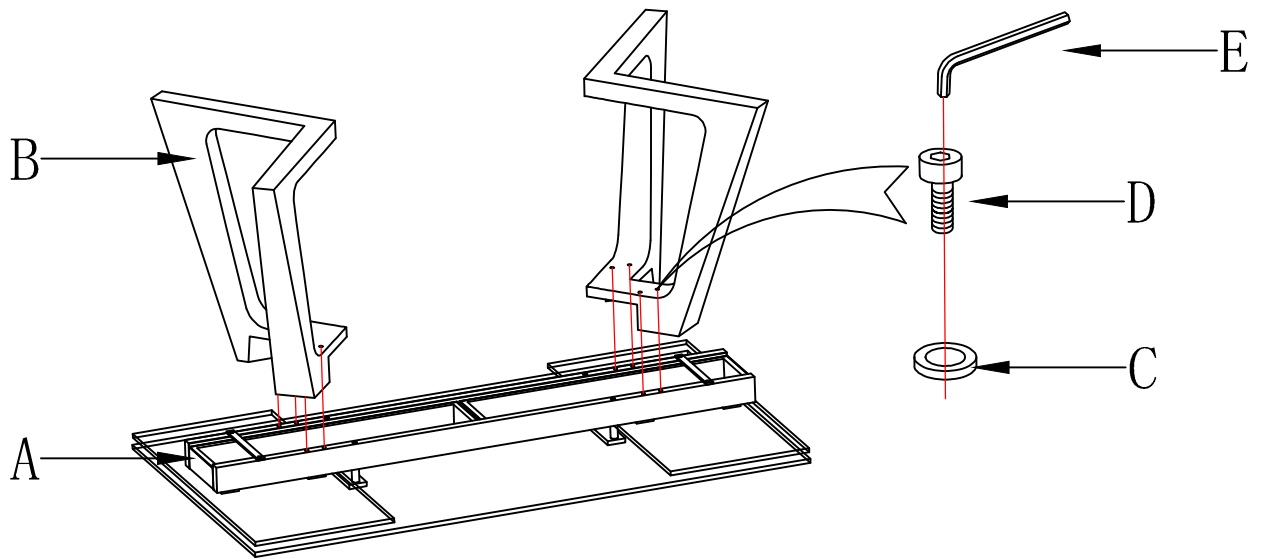
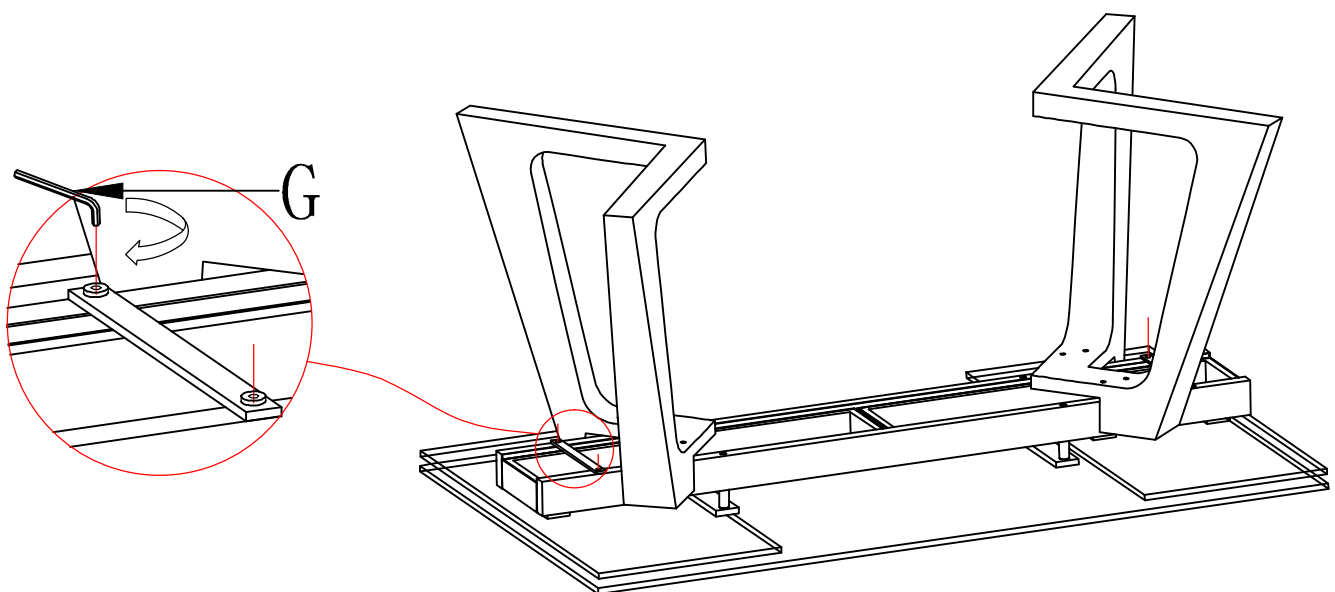


FIG. 2



ASSEMBLY INSTRUCTION  
1115-MC1772DT-2437



A	B	C	D	E	F	G
1 PC	2 PCS	8 PCS	8 PCS	1 PC	1 PC	1 PC

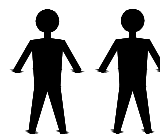
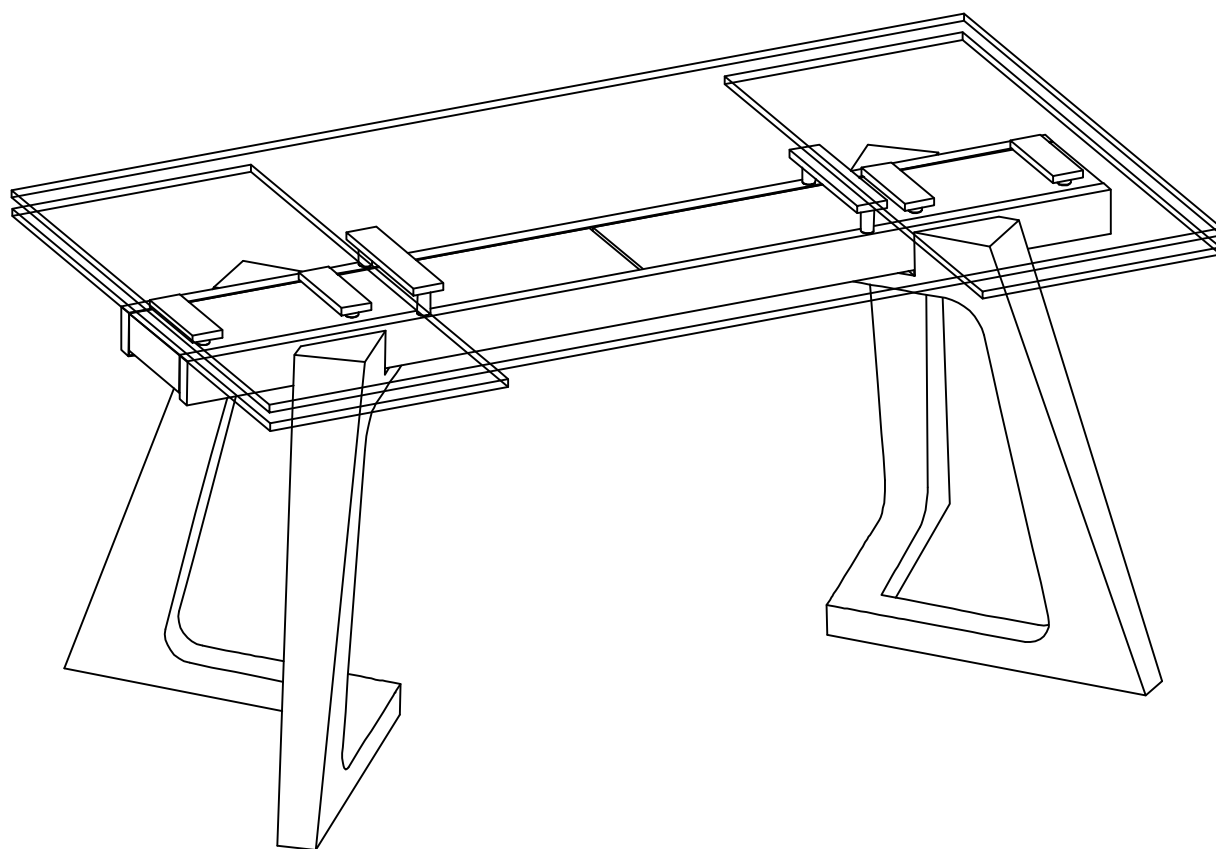



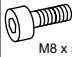

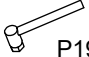

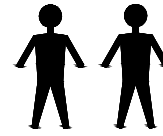


FIG.  
3

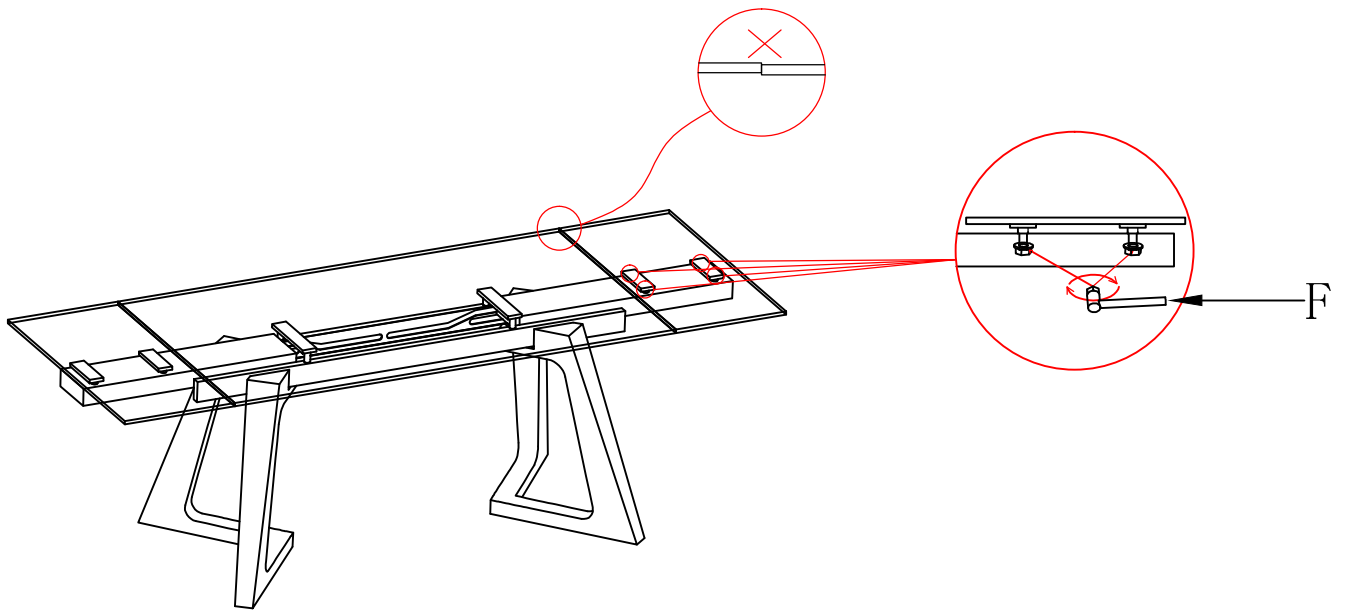


A	B	C	D	E	F	G
		 Ø17 x Ø8 x 1.5	 M8 x 50	 P6	 P19	 P4
1 PC	2 PCS	8 PCS	8 PCS	1 PC	1 PC	1 PC

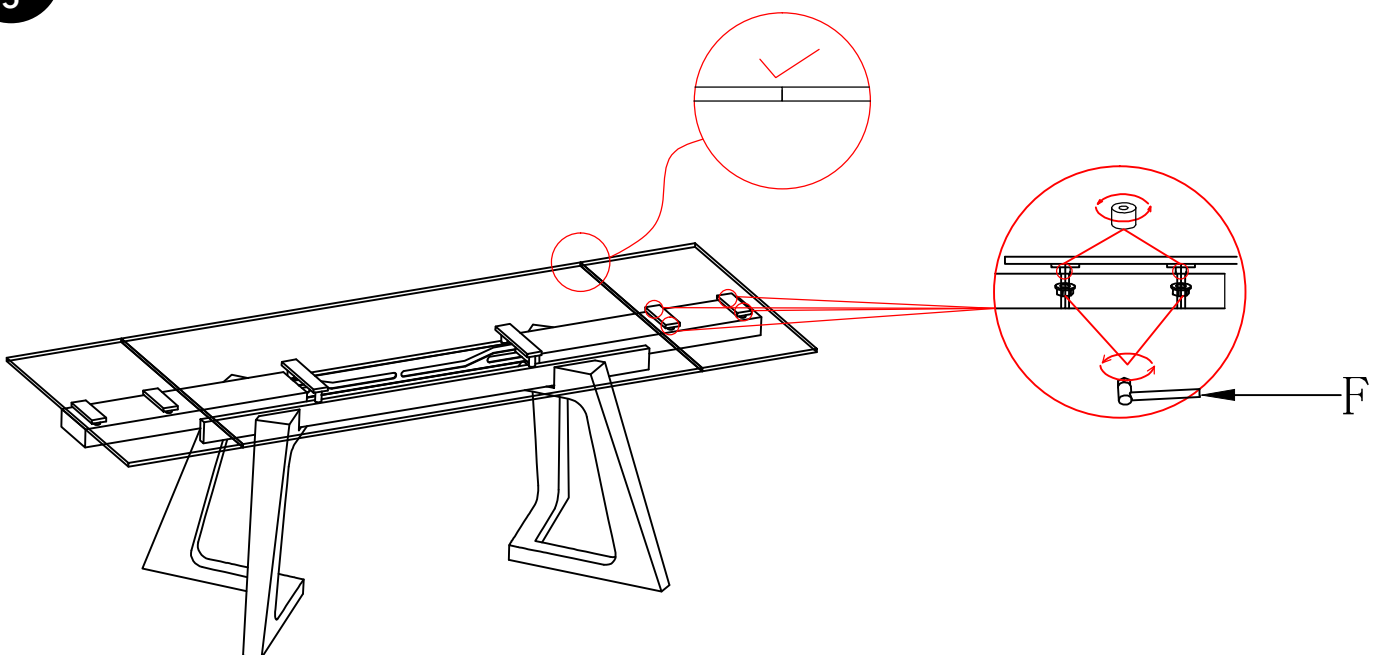









**FIG. 4**

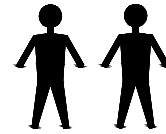
ADJUSTMENT



**FIG. 5**



A	B	C	D	E	F	G
		 Ø17 x Ø8 x 1.5	 M8 x 50	 P6	 P19	 P4
1 PC	2 PCS	8 PCS	8 PCS	1 PC	1 PC	1 PC



**FIG.**  
**6**

ADJUSTMENT

