

ASSEMBLY INSTRUCTION
1116-MC22183DT-2428



A	B	C	D	E	F
1 PC	2 PCS	1 PC	14 PCS	1 PC	1 PC

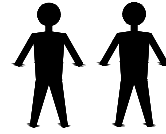


FIG.
1

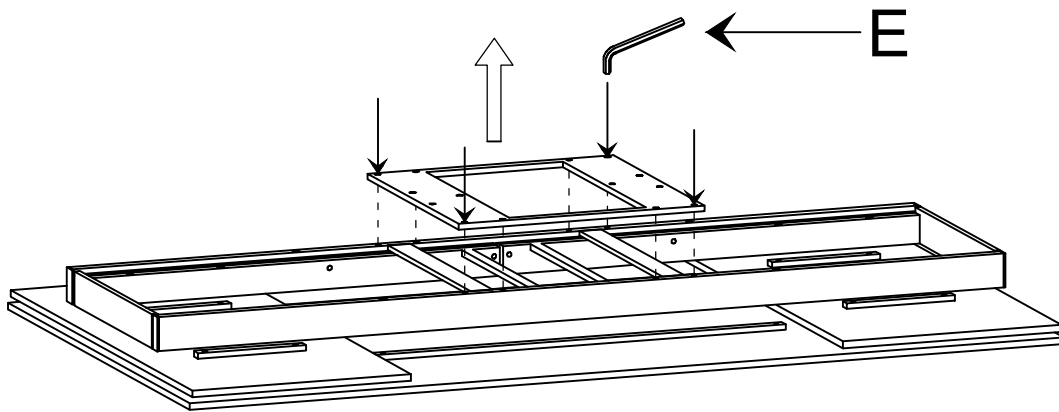
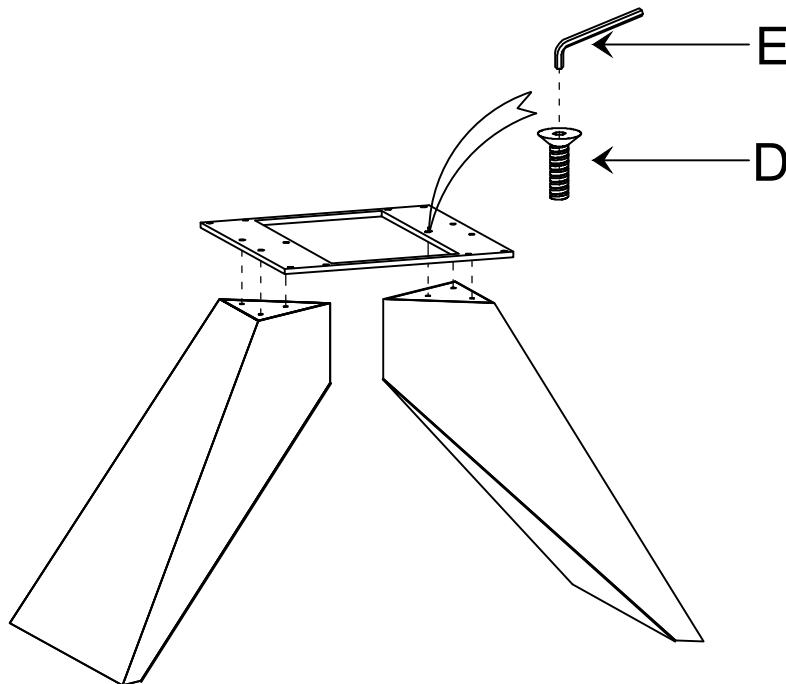








FIG.
2



A	B	C	D	E	F
			 M8*20	 P5	 P4
1 PC	2 PCS	1 PC	14 PCS	1 PC	1 PC

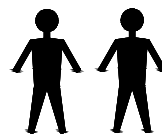


FIG.
4

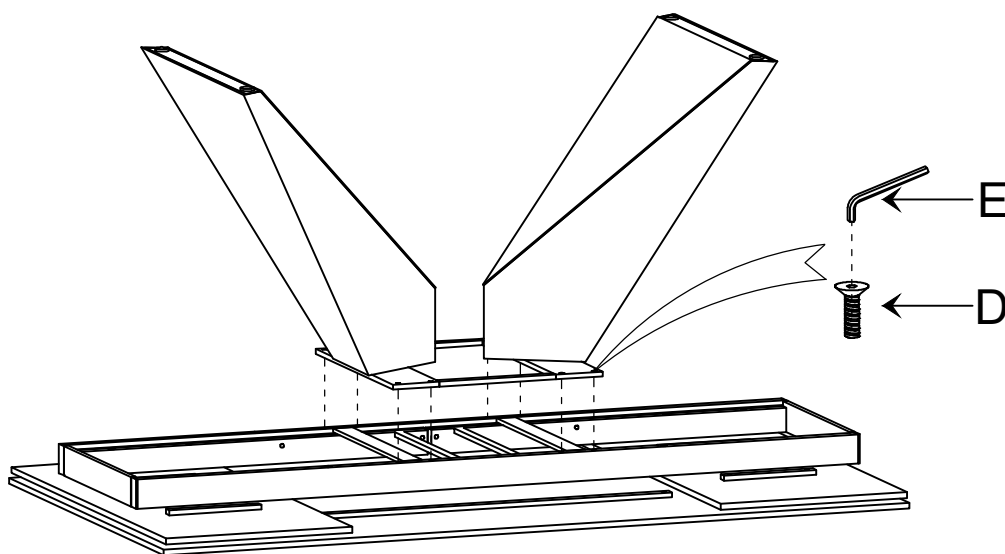
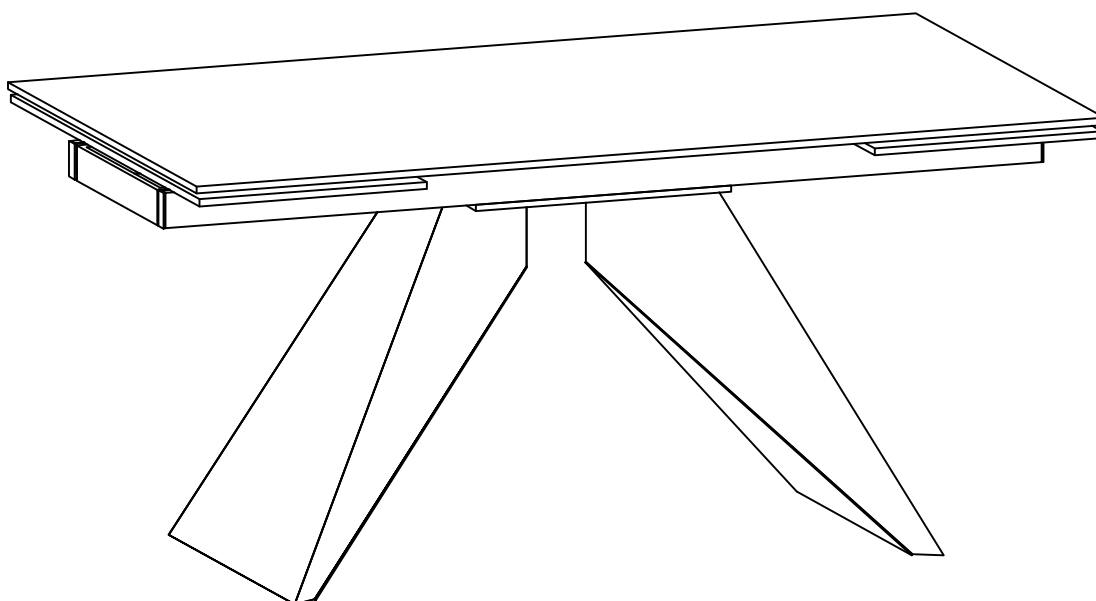






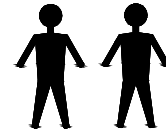


FIG.
5

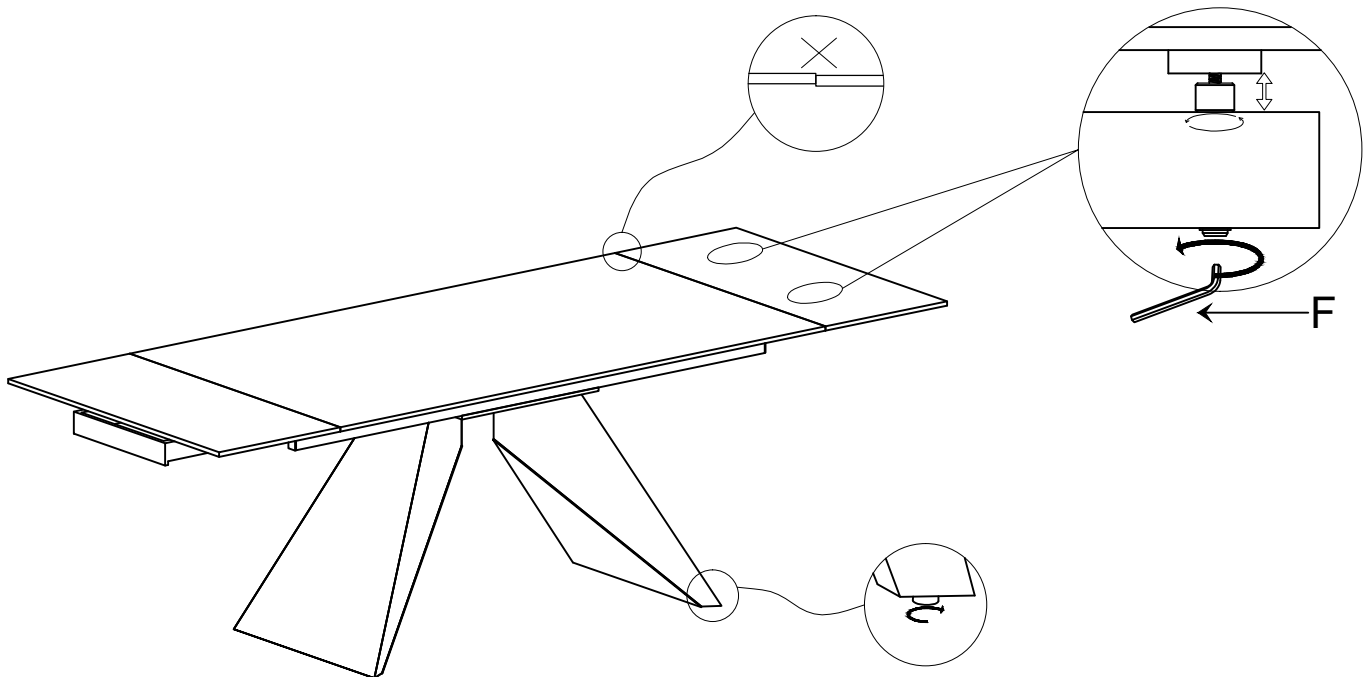


A	B	C	D	E	F
			 M8*20	 P5	 P4
1 PC	2 PCS	1 PC	14PCS	1 PC	1 PC

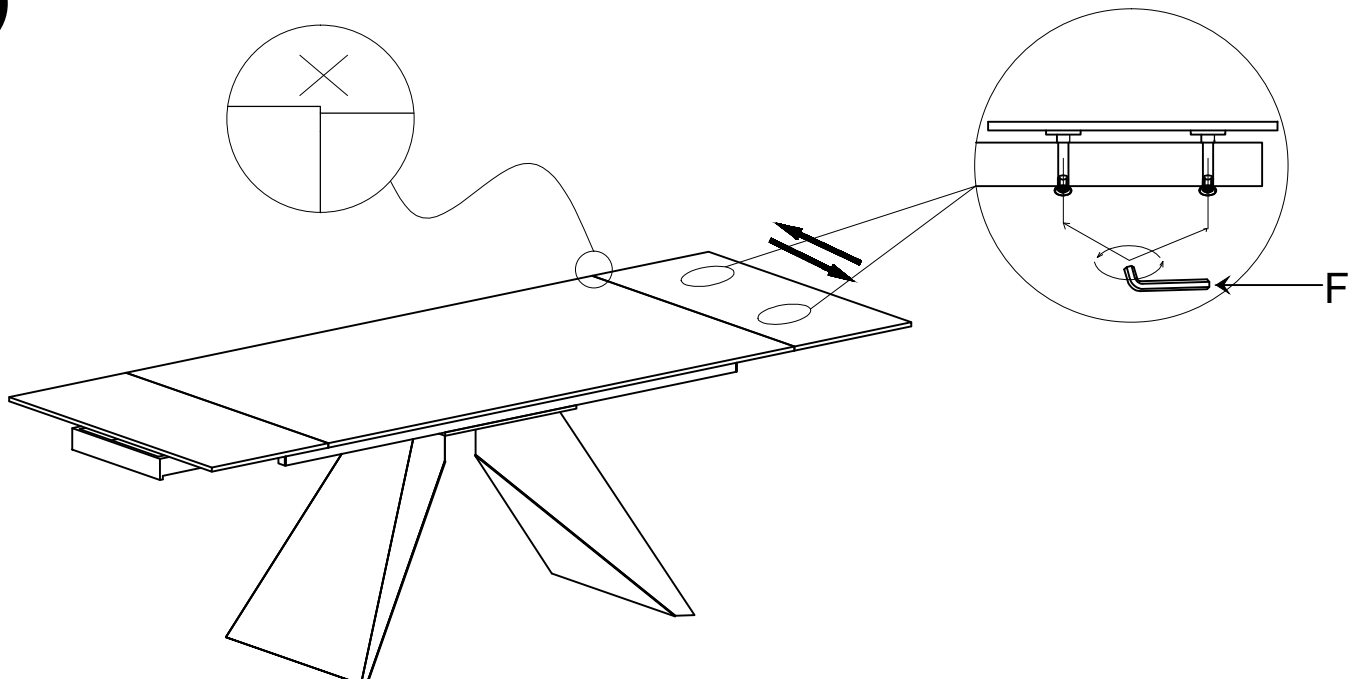





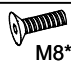


**FIG.
6**

ADJUSTMENT



**FIG.
7**



A	B	C	D	E	F
			 M8*20	 P5	 P4
1 PC	2 PCS	1 PC	14 PCS	1 PC	1 PC

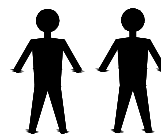


FIG.
8

ADJUSTMENT

