





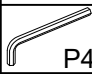


A	A1	B	C	D	E	F
				 M8*20	 P5	 P4
1 PC	1 PC	2 PCS	2 PCS	22 PCS	1 PC	1 PC

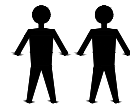


FIG. 1

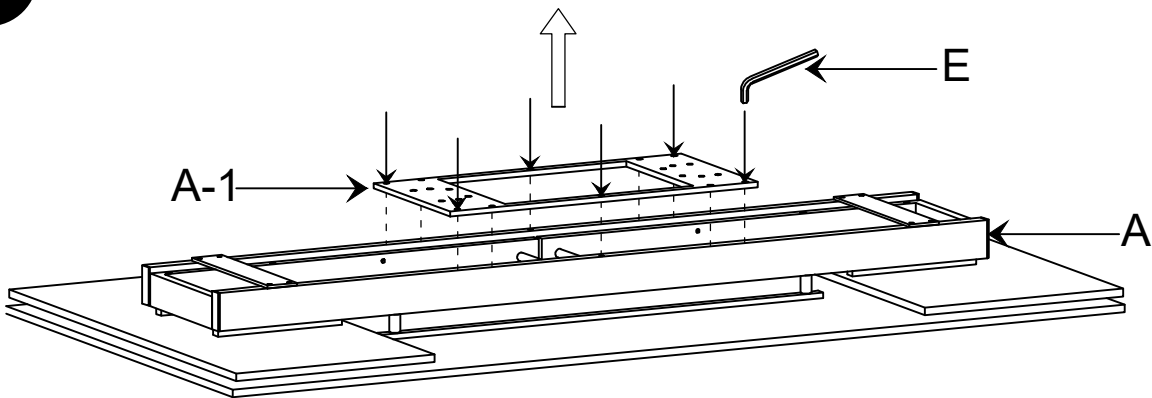
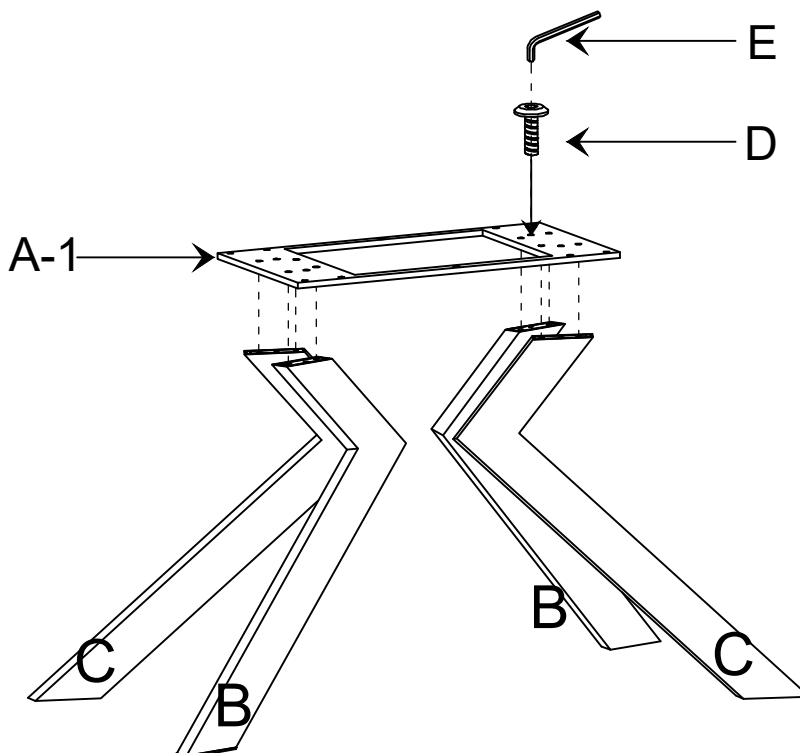


FIG. 2










A	A1	B	C	D	E	F
				 M8*20	 P5	 P4
1 PC	1 PC	2 PCS	2 PCS	22 PCS	1 PC	1 PC



FIG.
3

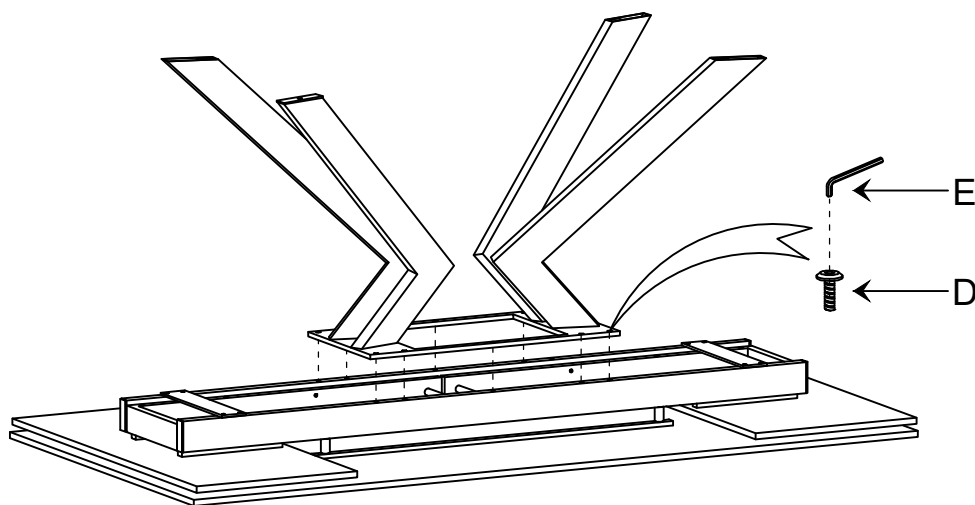
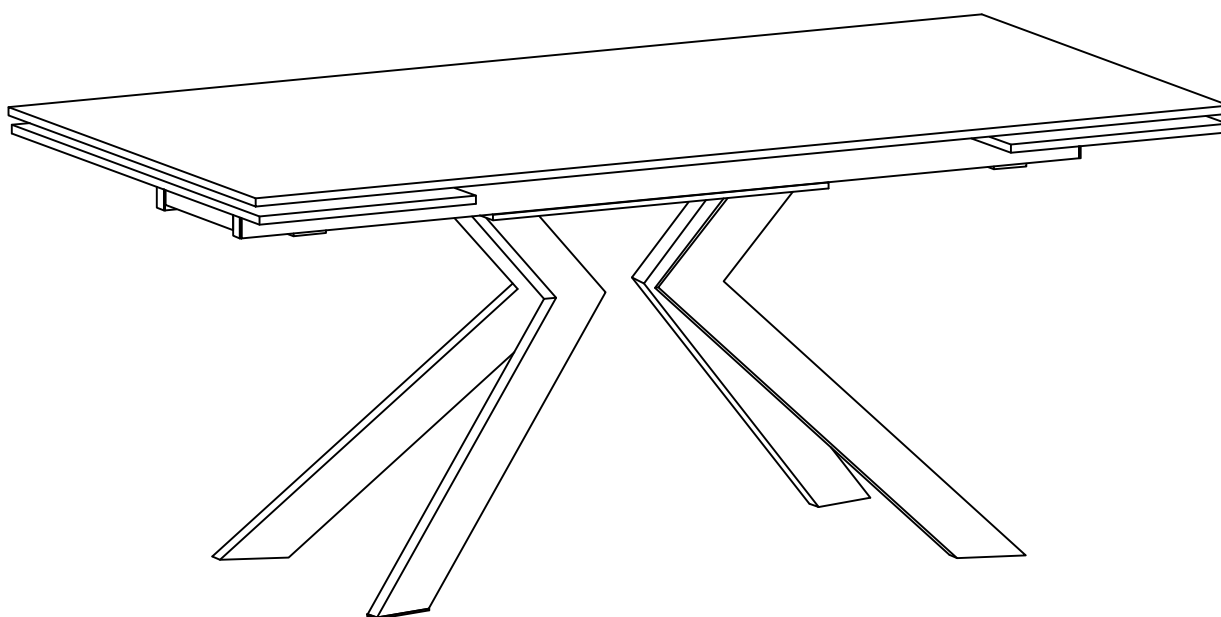



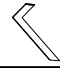



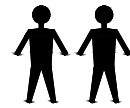


FIG.
4



A	A1	B	C	D	E	F
				 M8*20	 P5	 P4
1 PC	1 PC	2 PCS	2 PCS	22 PCS	1 PC	1 PC



ADJUSTMENT

FIG. 5

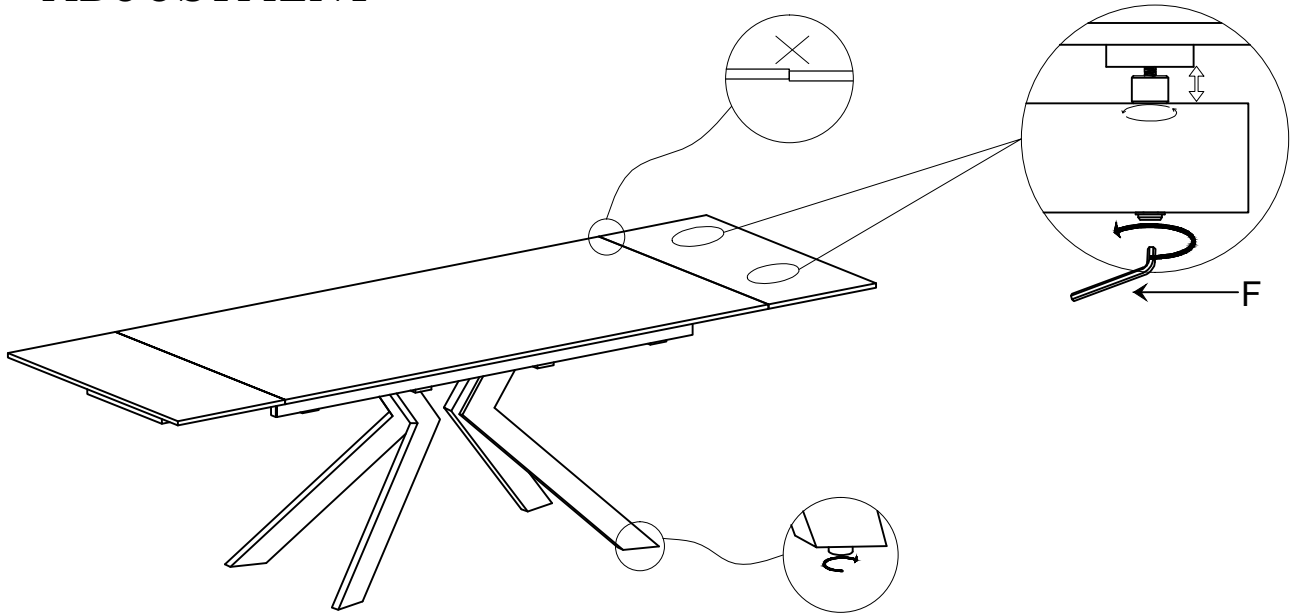
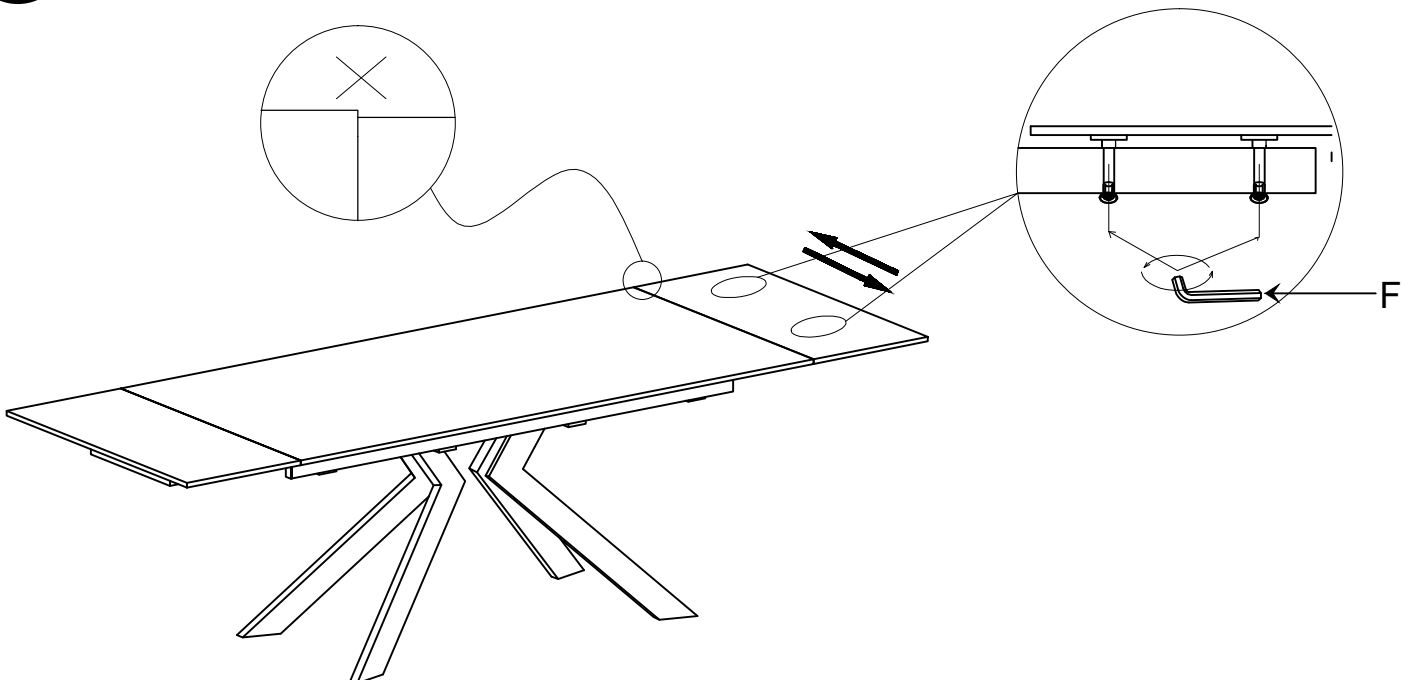





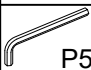



FIG. 6



A	A1	B	C	D	E	F
				 M8*20	 P5	 P4
1 PC	1 PC	2 PCS	2 PCS	22 PCS	1 PC	1 PC



ADJUSTMENT

FIG.
7

