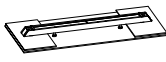



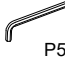
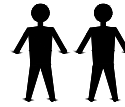
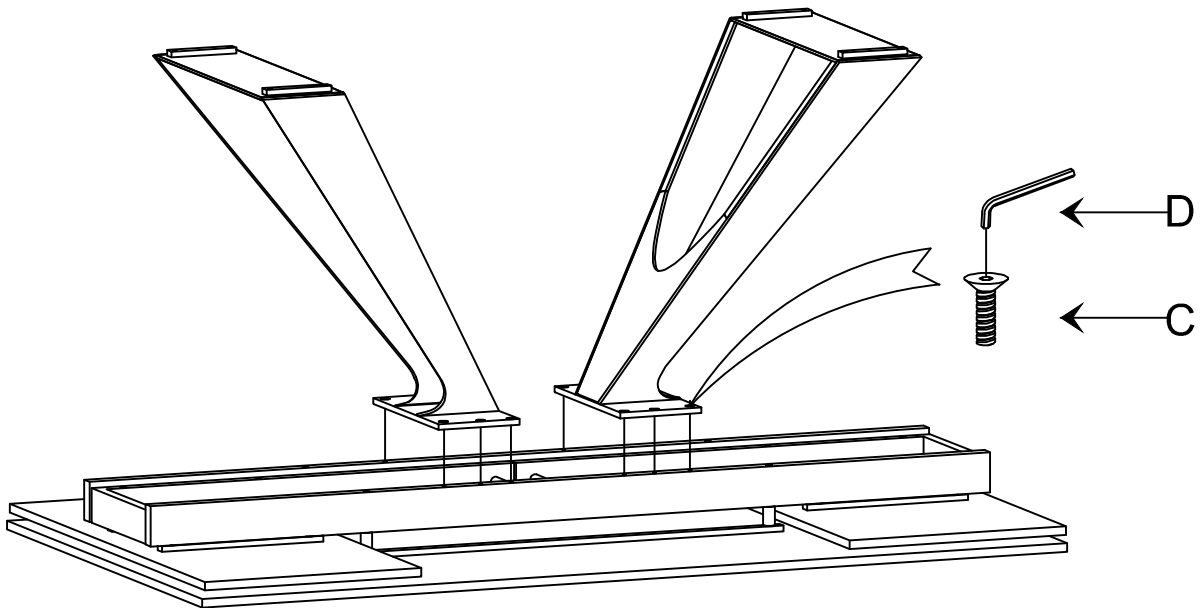


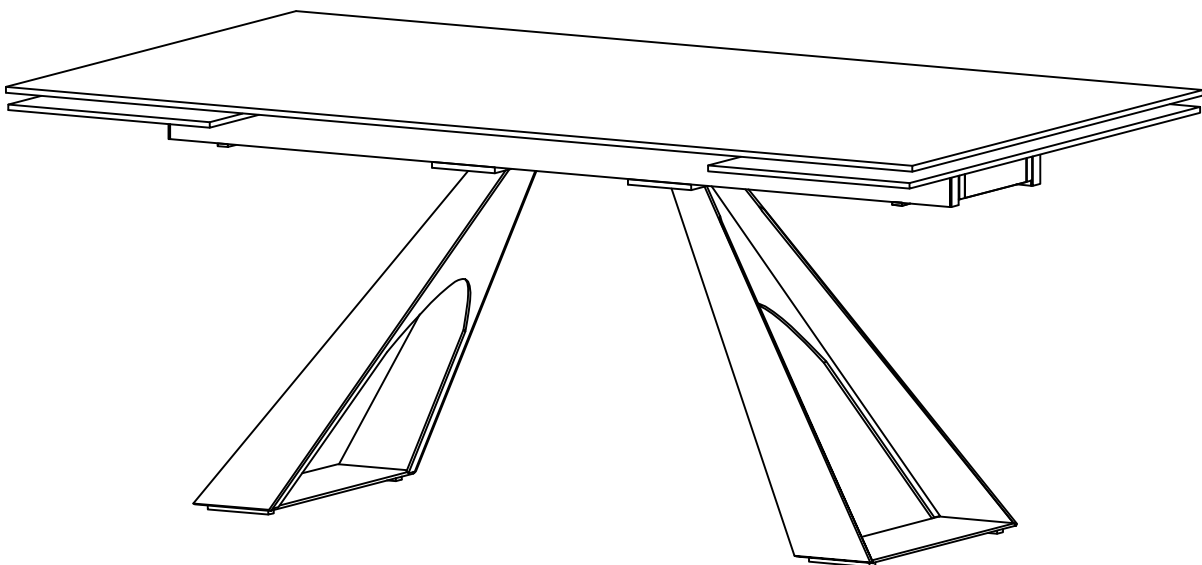
A	B	C	D	E
		 M8*20	 P4	 P5
1 PC	2 PCS	8 PCS	1 PC	1 PC

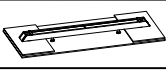



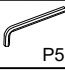


**FIG.**  
**1**



**FIG.**  
**2**

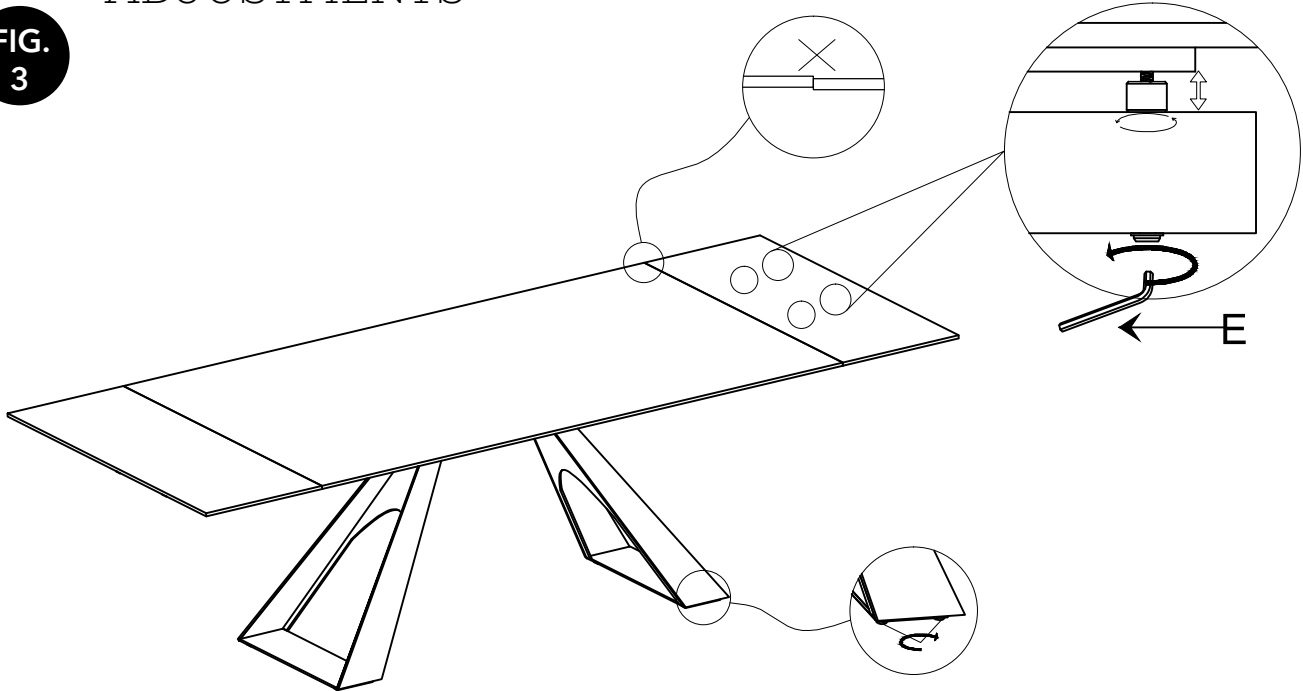


A	B	C	D	E
				
1 PC	2 PCS	8 PCS	1 PC	1 PC

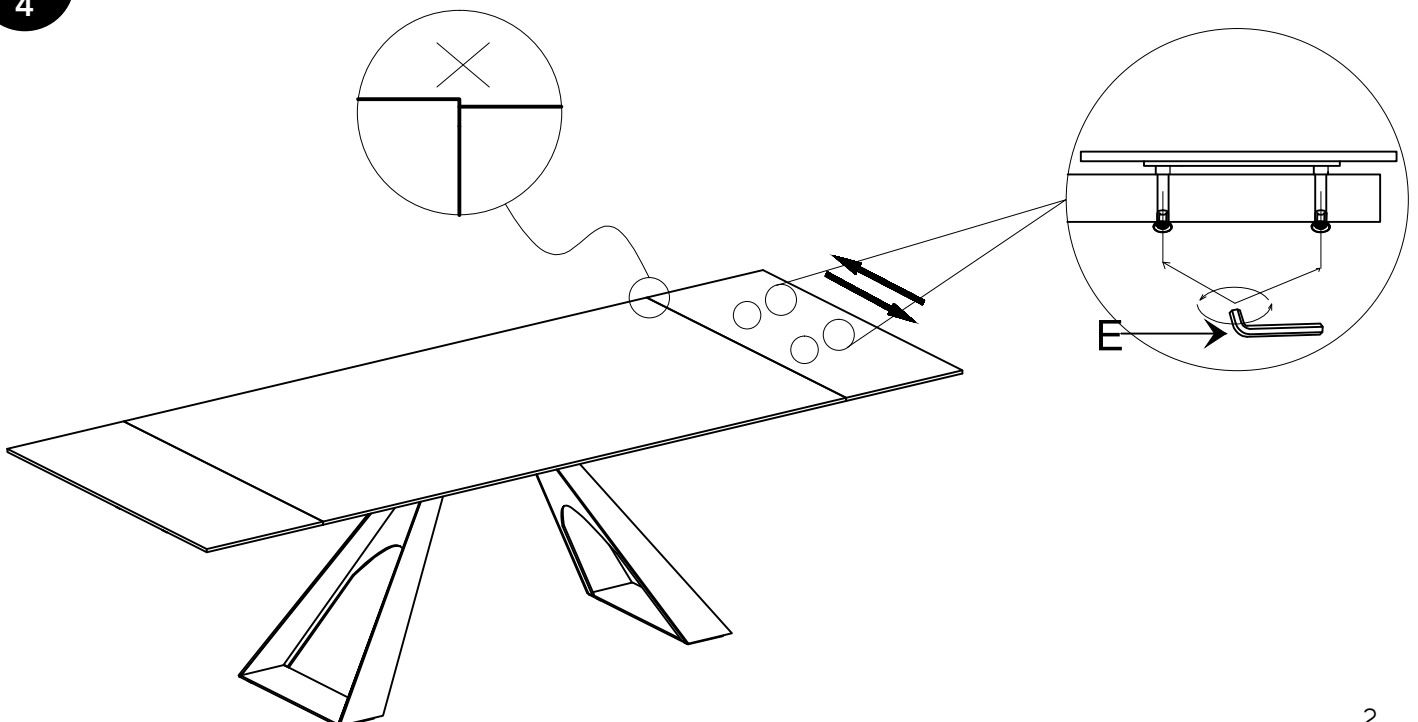


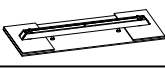




## ADJUSTMENTS

**FIG. 3**



**FIG. 4**



A	B	C	D	E
				
1 PC	2 PCS	8 PCS	1 PC	1 PC



## ADJUSTMENTS

**FIG.**  
**5**

