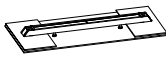



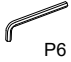
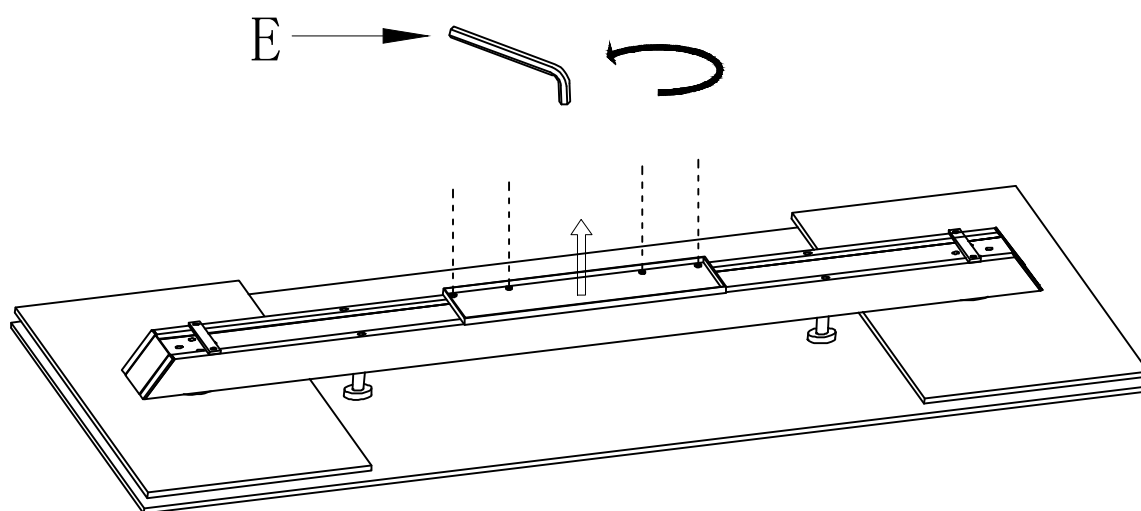


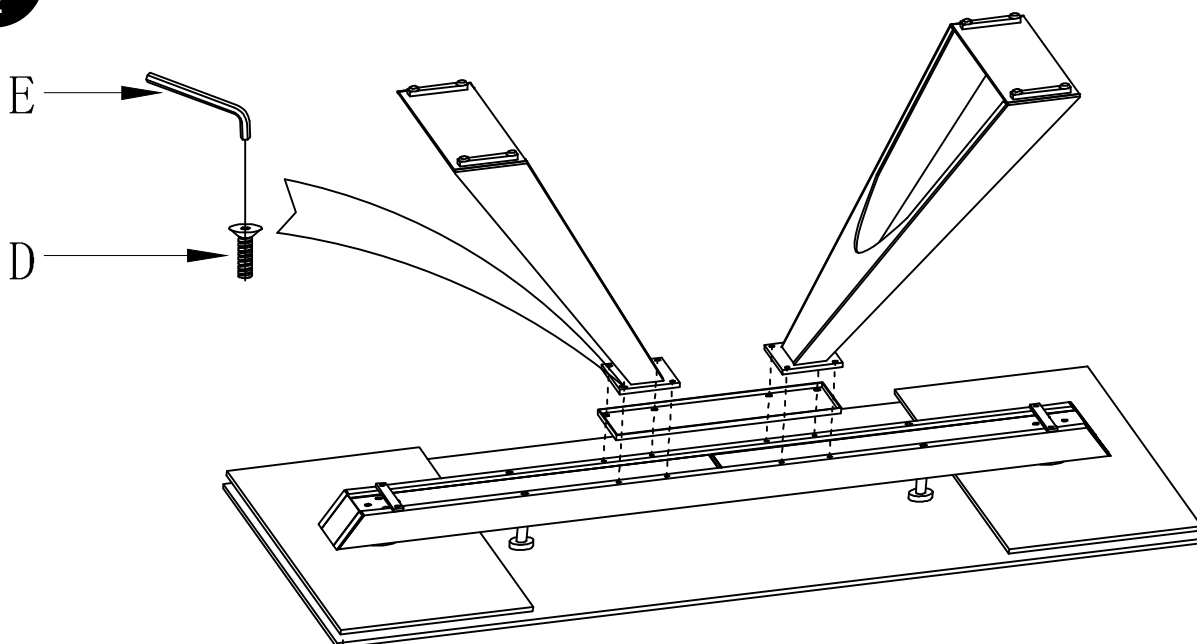
A	B	C	D	E
			 M8*20	 P6
1 PC	2 PCS	1 PC	8 PCS	1 PC

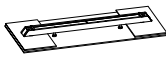



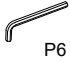


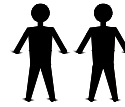
**FIG.**  
**1**



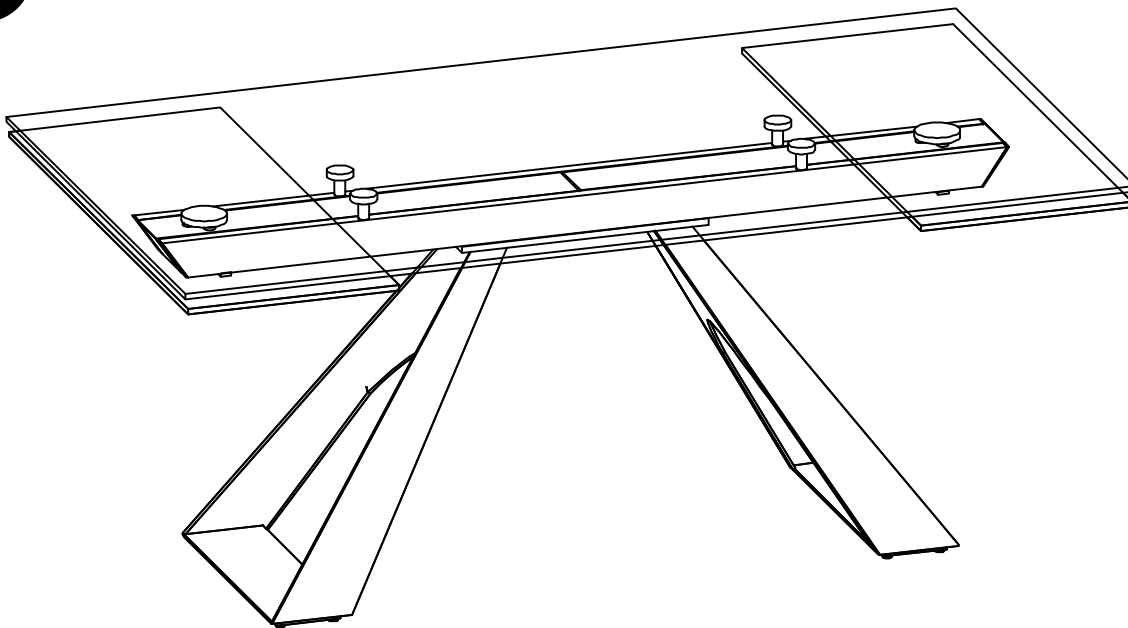
**FIG.**  
**2**



A	B	C	D	E
			 M8*20	 P6
1 PC	2 PCS	1 PC	8 PCS	1 PC

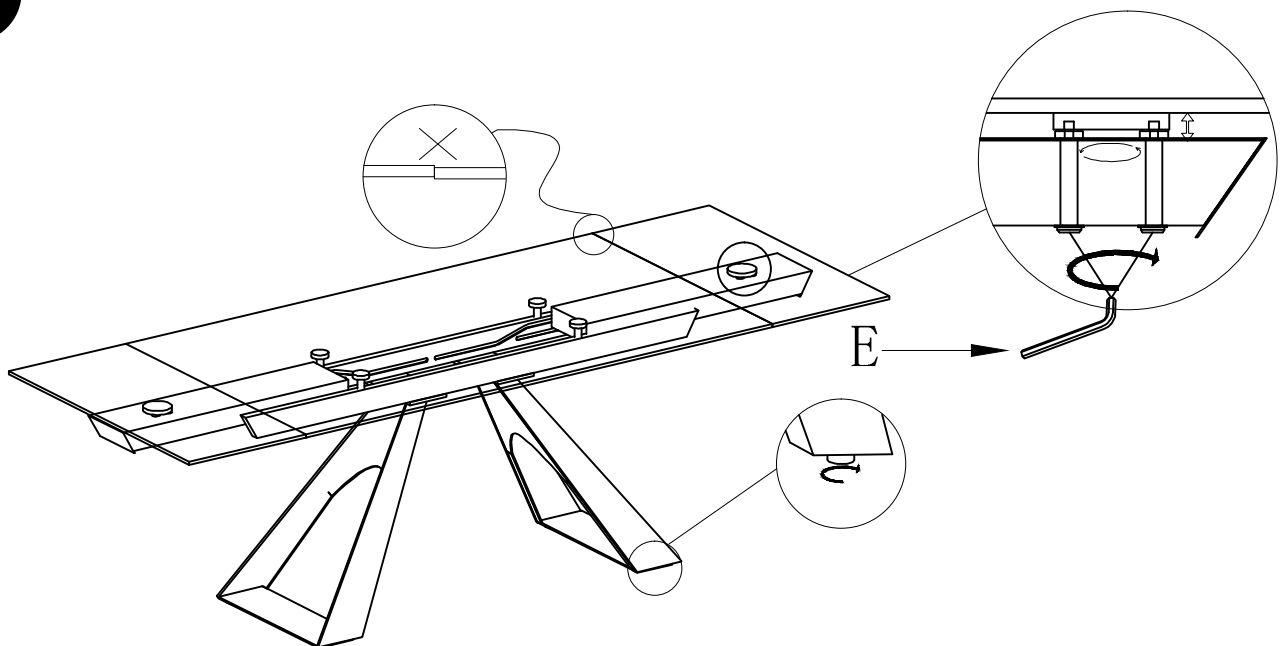







**FIG.**  
**3**

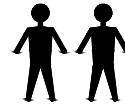


**FIG.**  
**4**

ADJUSTMENT



A	B	C	D	E
			 M8*20	 P6
1 PC	2 PCS	1 PC	8 PCS	1 PC



ADJUSTMENT

FIG.  
5

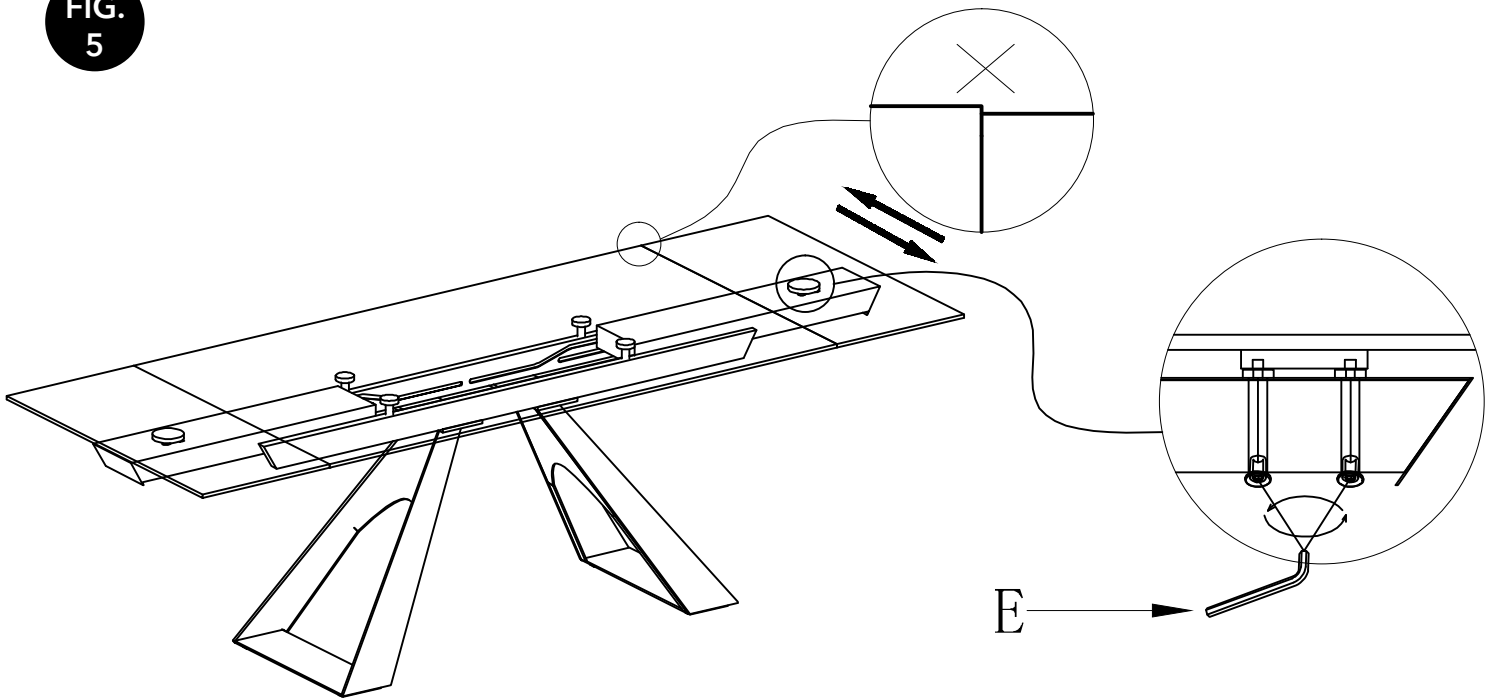


FIG.  
6

