

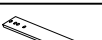
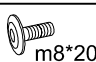


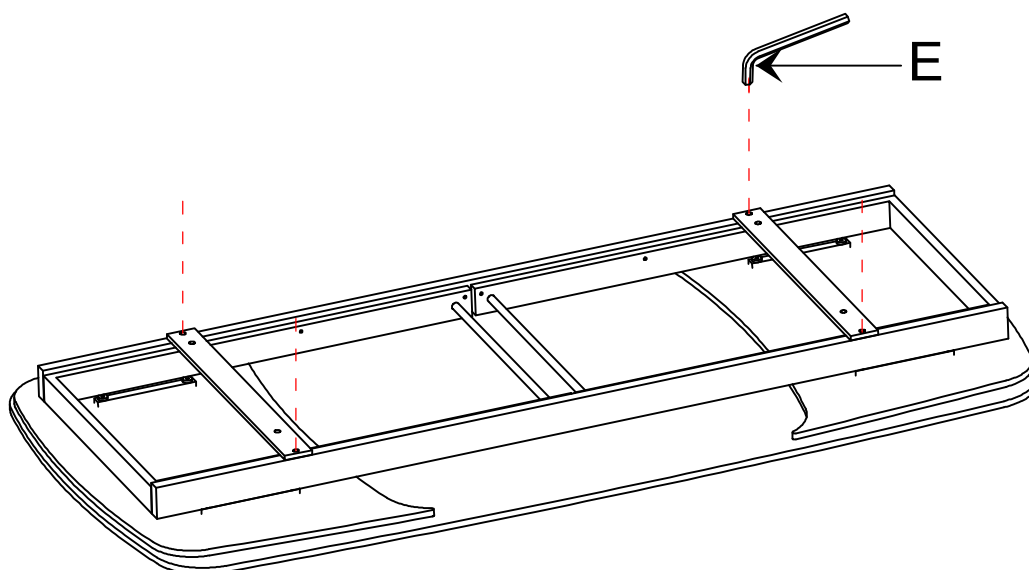


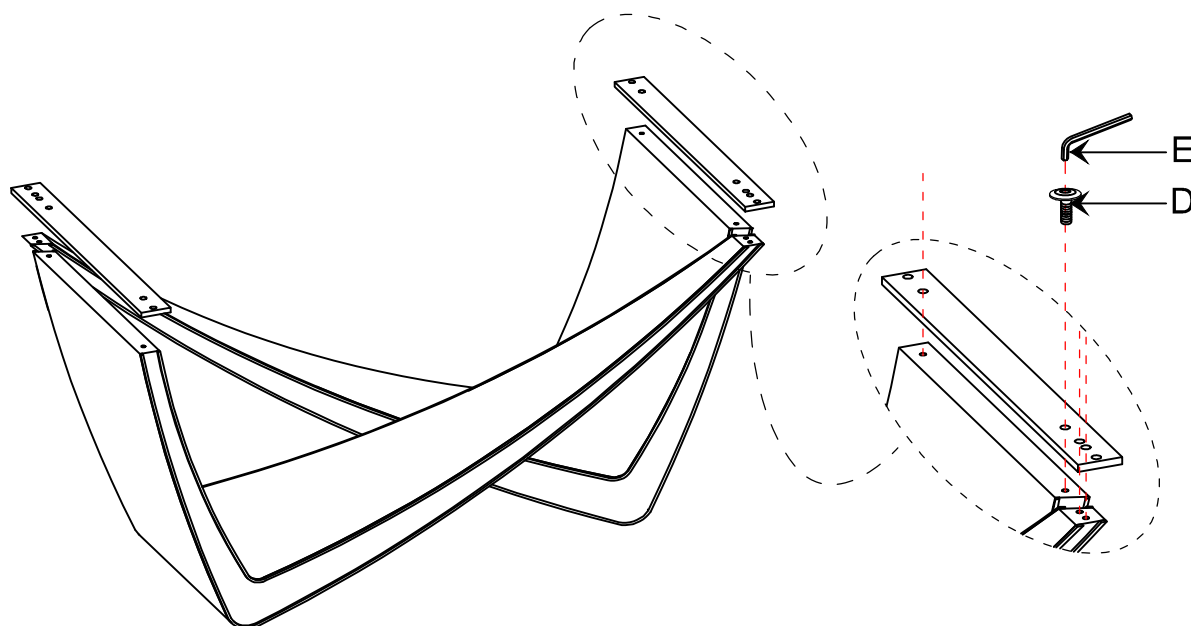
A	B	C	D	E	F
					
1 PC	2 PCS	2 PCS	12PCS	1 PC	1 PC





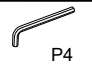
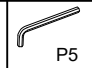


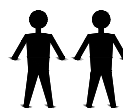
**FIG.**  
**1**



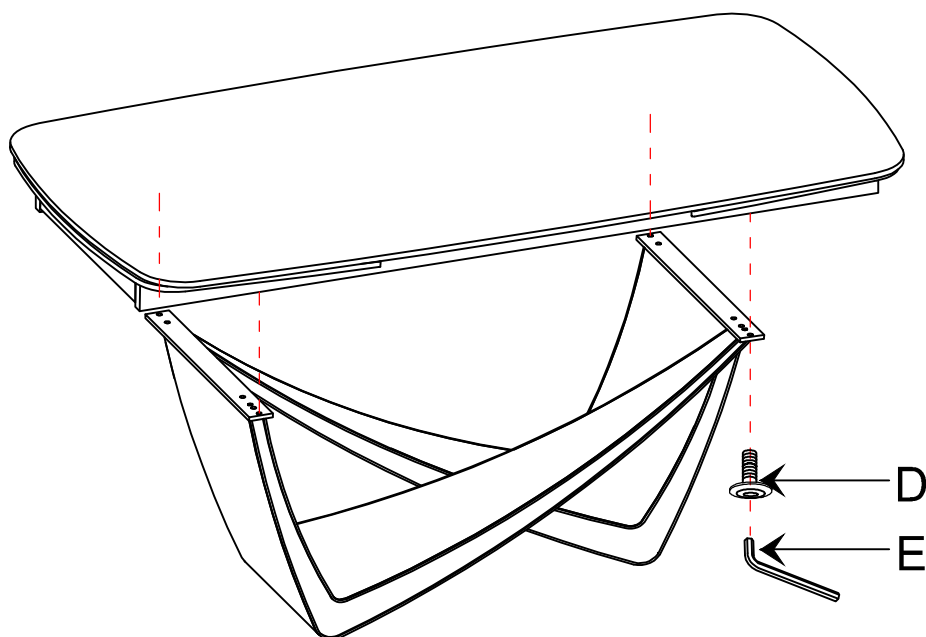
**FIG.**  
**2**



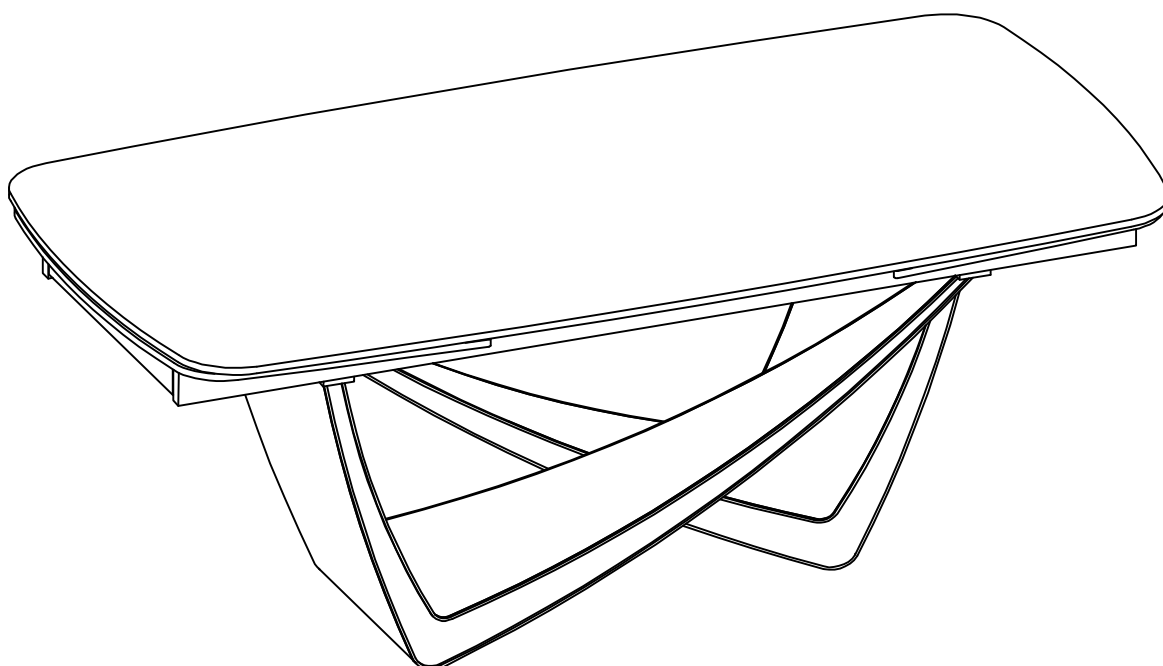
A	B	C	D	E	F
					
1 PC	2 PCS	2 PCS	12PCS	1 PC	1 PC



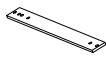





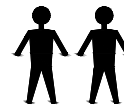
**FIG.**  
**3**



**FIG.**  
**4**

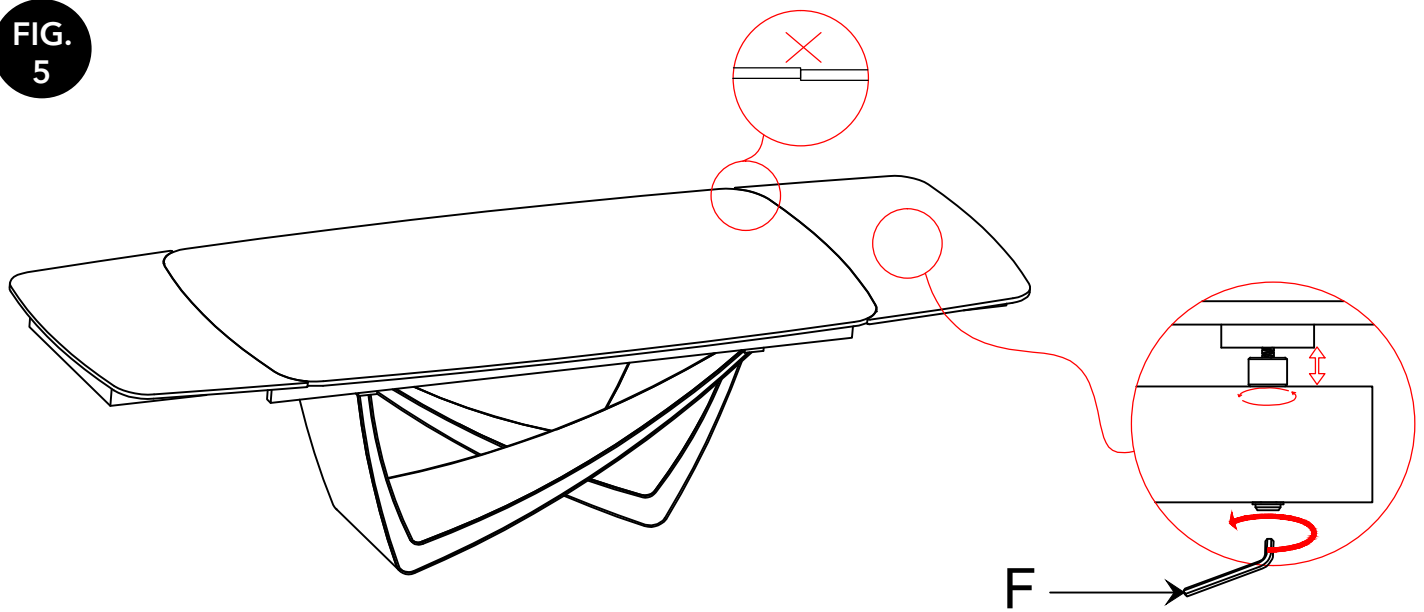


A	B	C	D	E	F
					
1 PC	2 PCS	2 PCS	12PCS	1 PC	1 PC

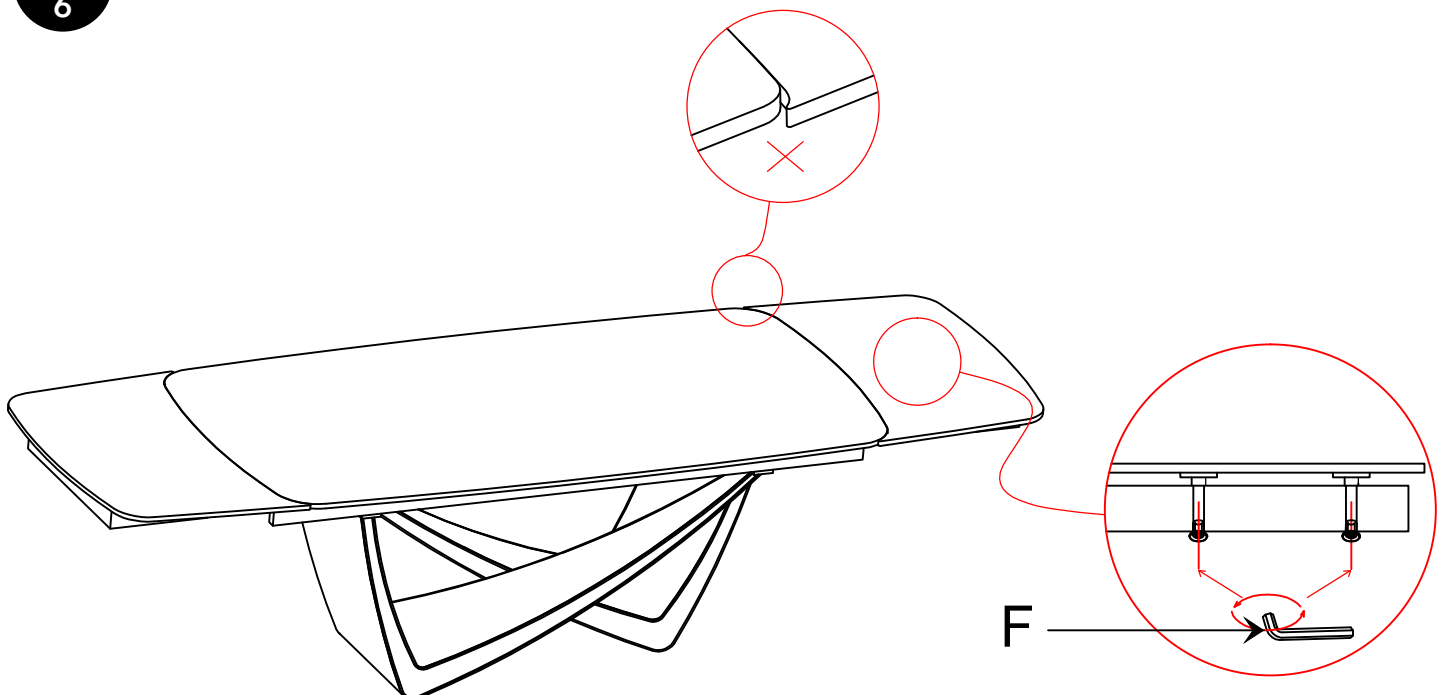




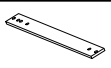

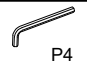
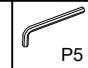
## ADJUSTMENTS

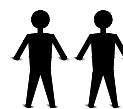
**FIG. 5**



**FIG. 6**



A	B	C	D	E	F
					
1 PC	2 PCS	2 PCS	12PCS	1 PC	1 PC



## ADJUSTMENTS

**FIG.**  
**7**

