





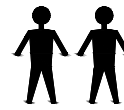
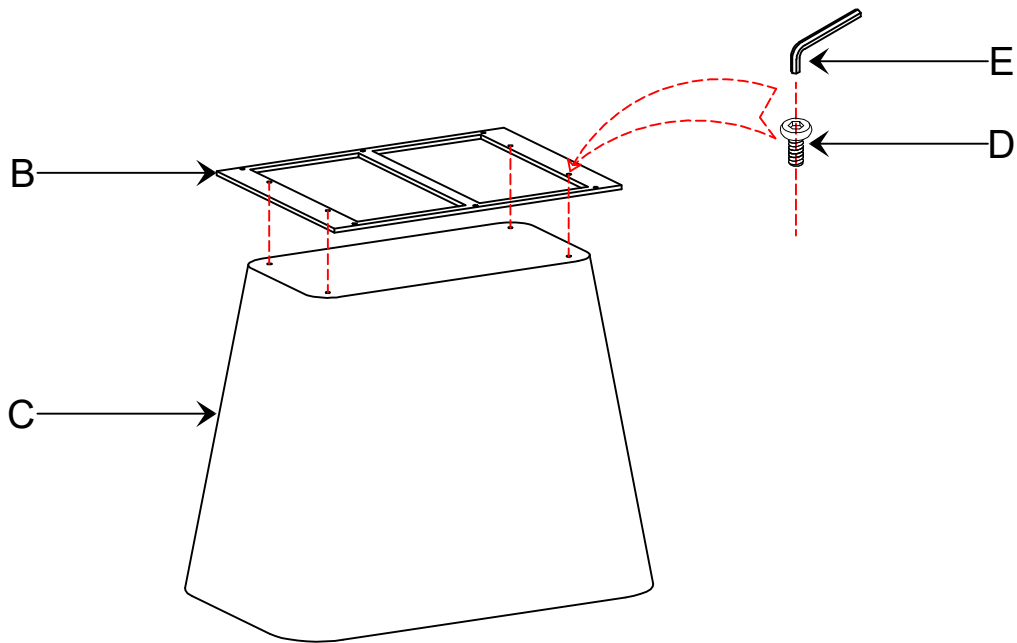


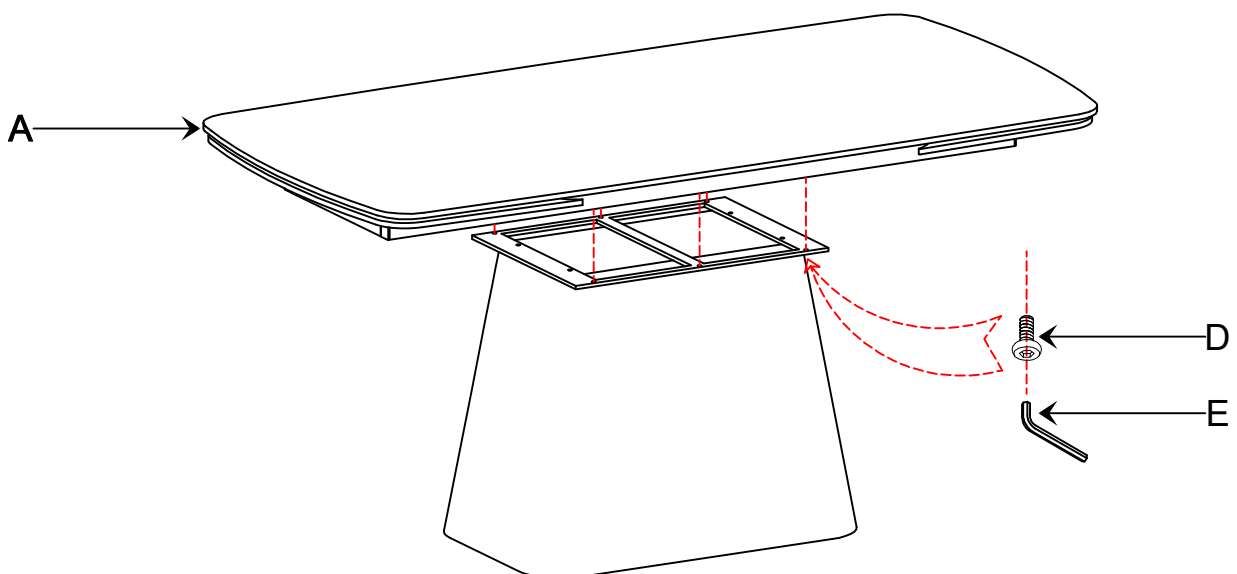
A	B	C	D	E	F
					
1 PC	1 PC	1 PC	4 PCS	1 PC	1 PC









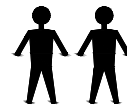
**FIG. 1**



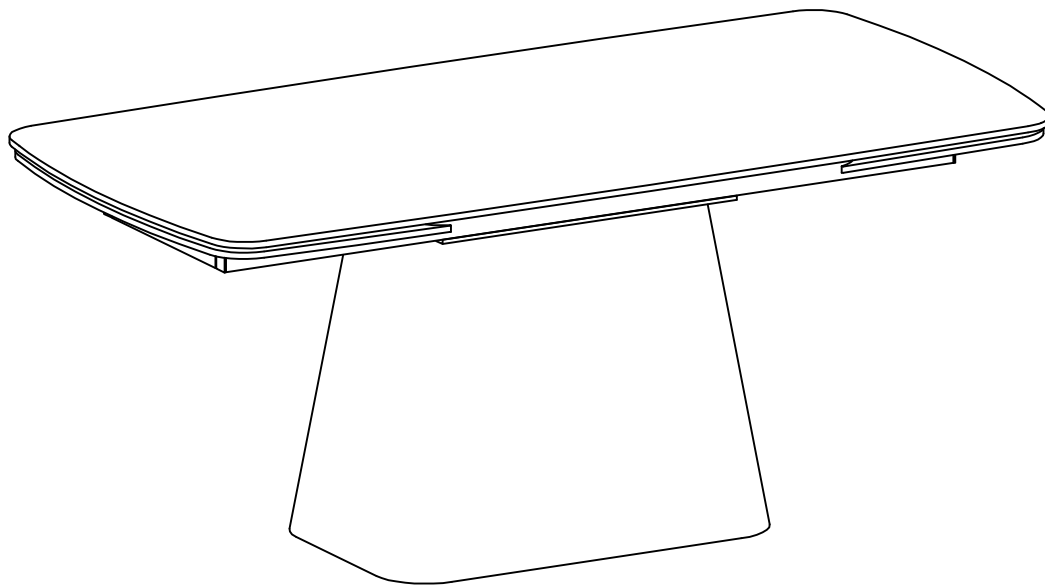
**FIG. 2**



A	B	C	D	E	F
					
1 PC	1 PC	1 PC	4 PCS	1 PC	1 PC

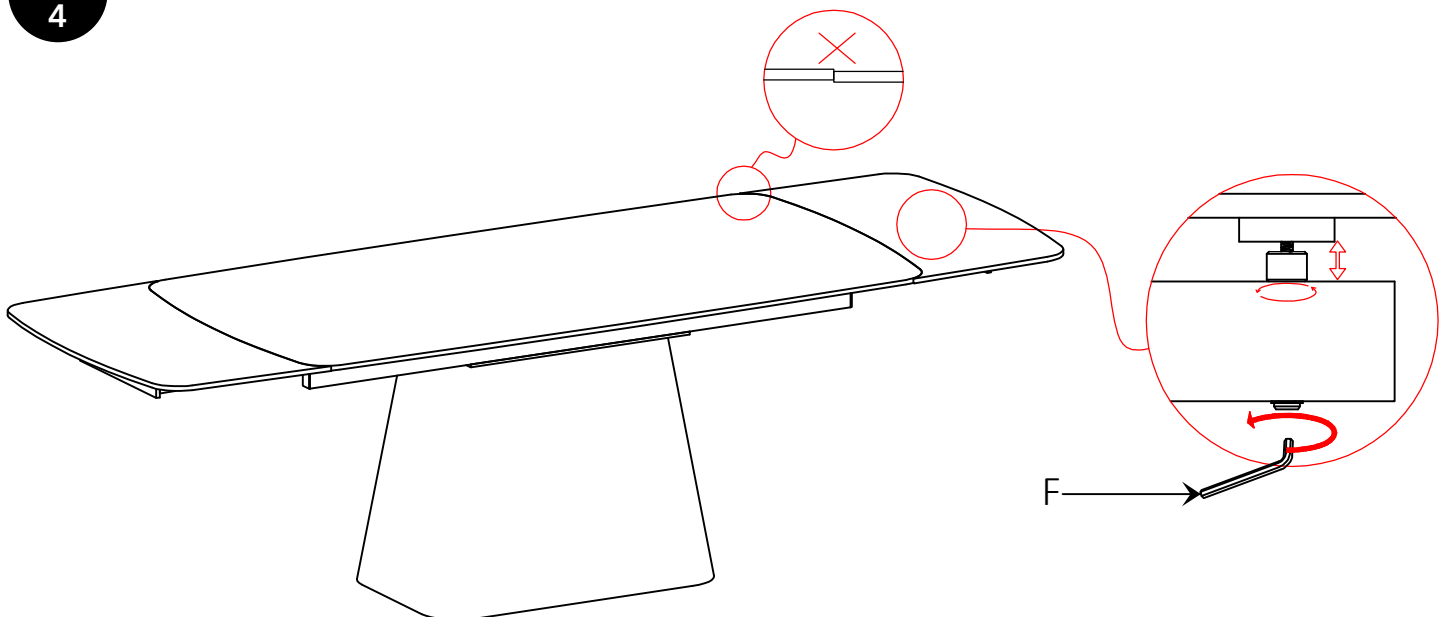








**FIG.**  
**3**

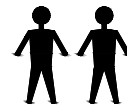


**FIG.**  
**4**

ADJUSTMENTS



A	B	C	D	E	F
				 P4	 P5
1 PC	1 PC	1 PC	4 PCS	1 PC	1 PC



ADJUSTMENTS

FIG. 5

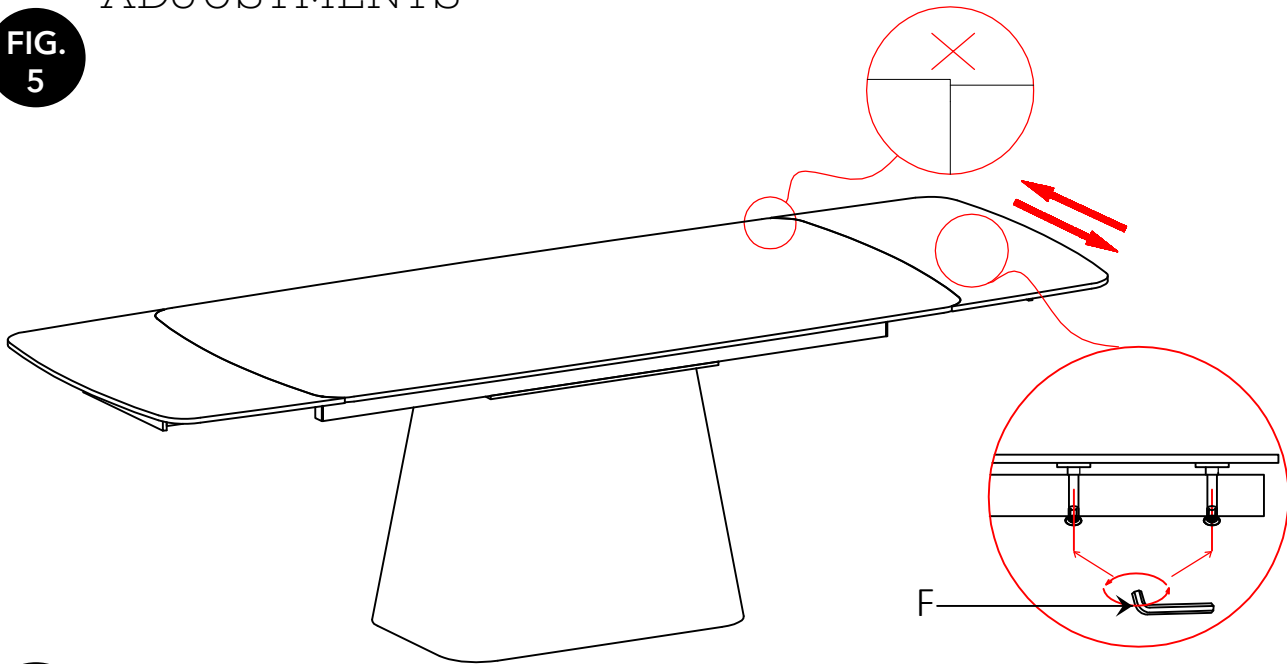


FIG. 6

